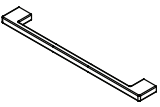



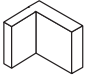
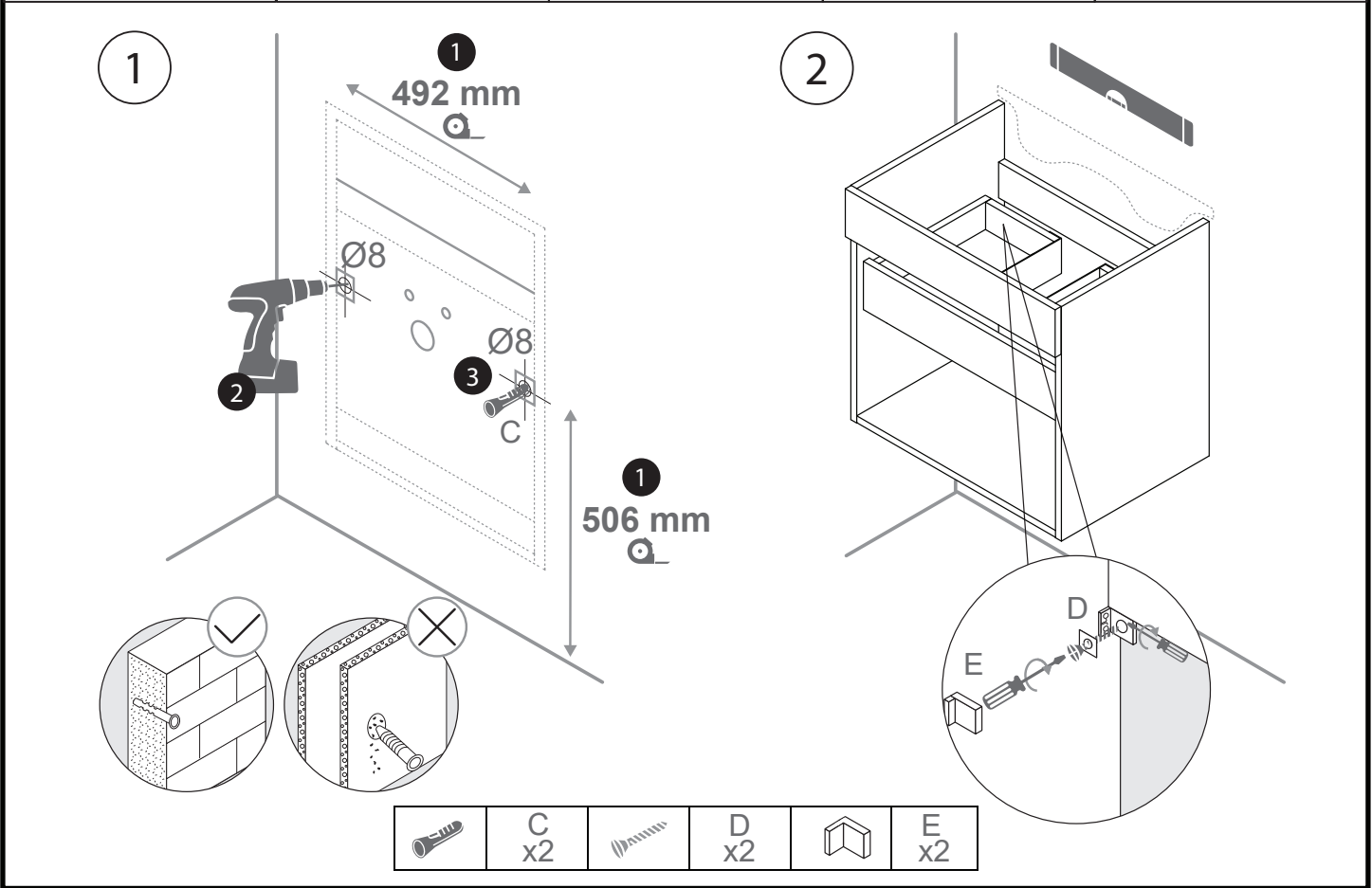
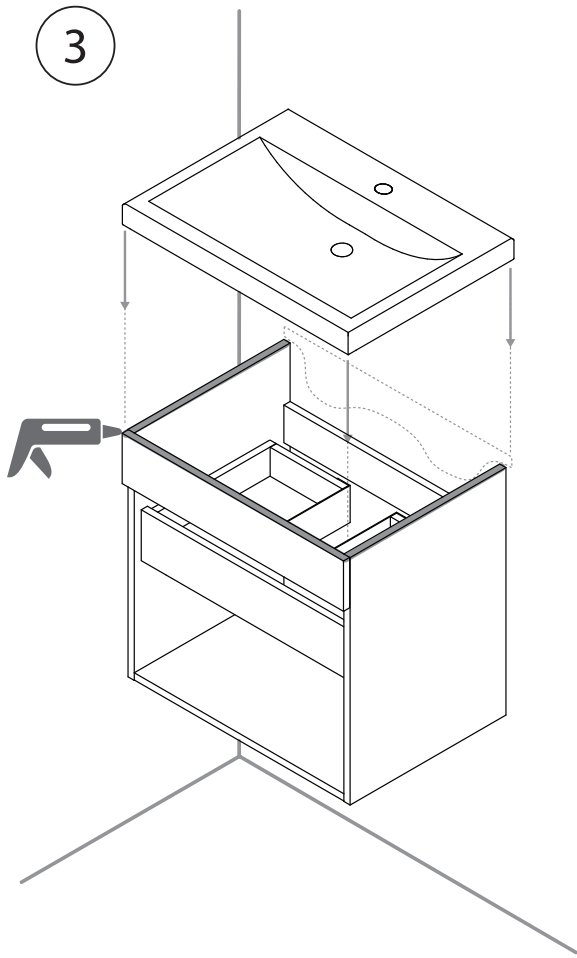


<b>A</b>	226x27x7 mm	<b>B</b>	4x22 mm	<b>C</b>	8x40 mm	<b>D</b>	5x50 mm	<b>E</b>	50x45x35 mm
	x 1		x 2		x 2		x 2		x 2

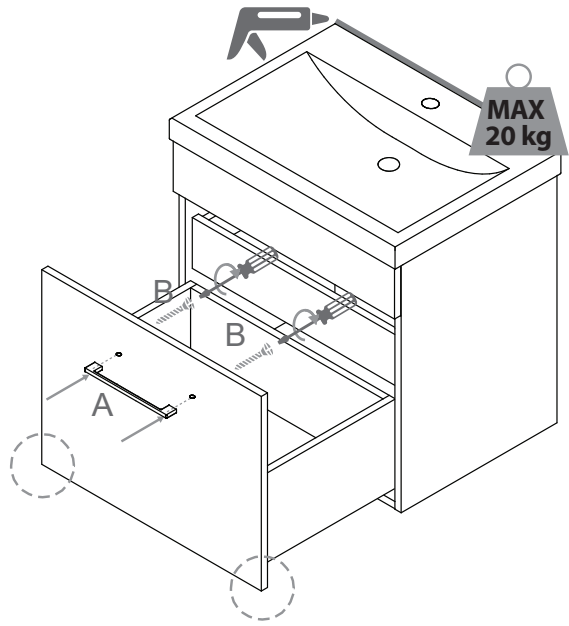




3

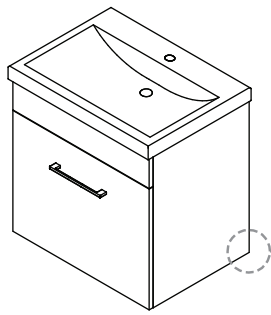


4

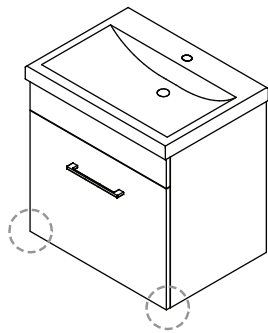


	A x1		B x2
--	---------	--	---------

4.1



4.2



4.3

