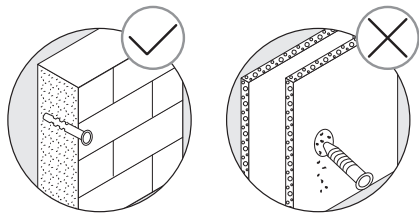
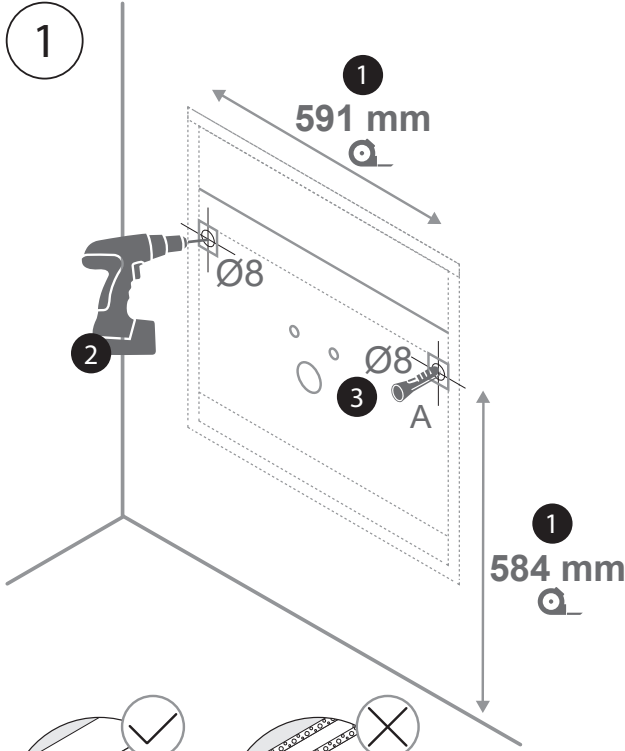
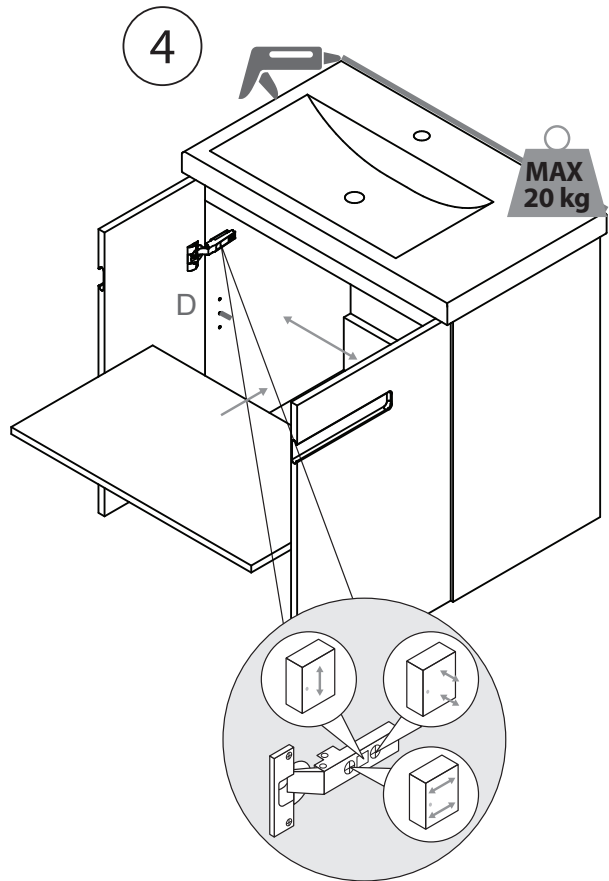
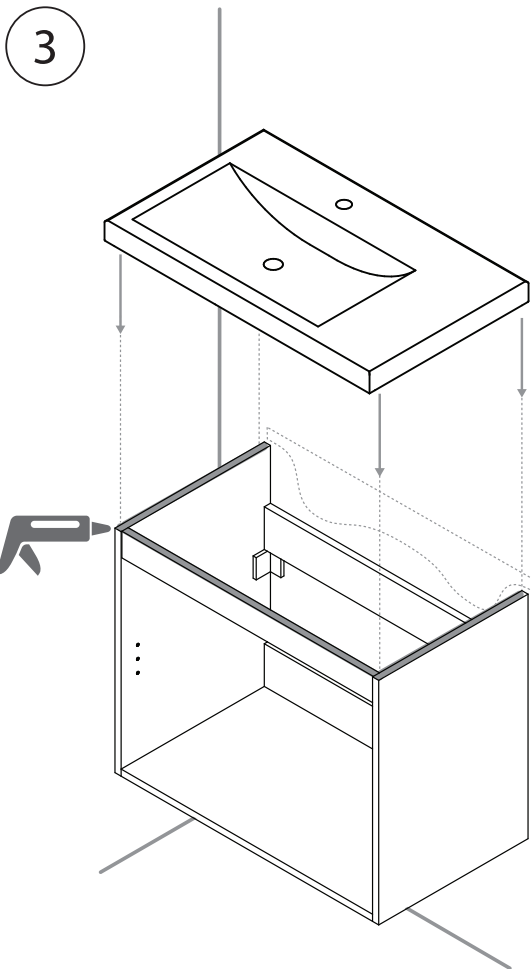
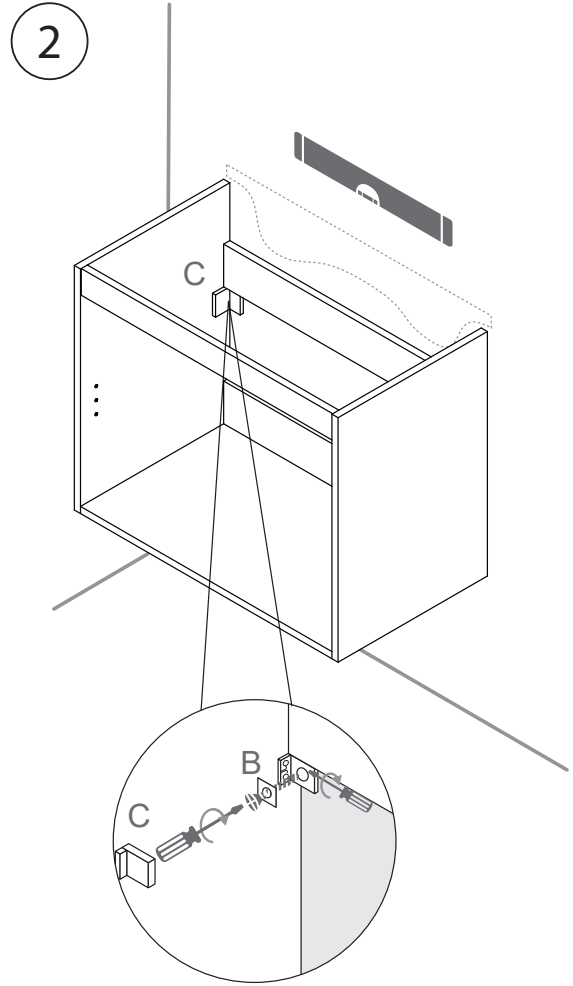


A		8x40 mm	x 2
B		5x50 mm	x 2
C		50x45x35 mm	x 2
D		5x10 mm	x 4



	A x2		B x2		C x2
--	---------	--	---------	--	---------



	D x4
--	---------