

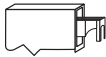


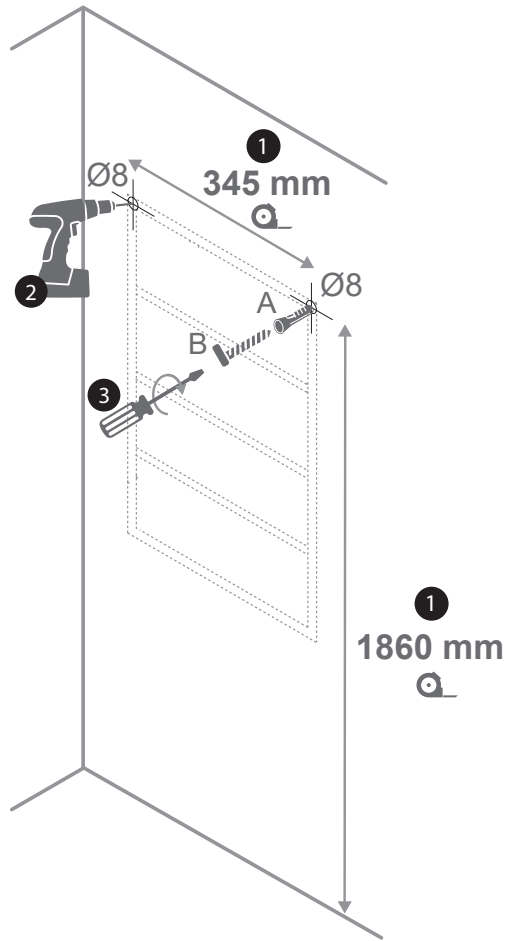


A		8x40 mm	x2
B		5,5x50 mm	x2
C		85x40x25 mm	x2
D		5x10 mm	x12
E		45x20x3 mm	x1

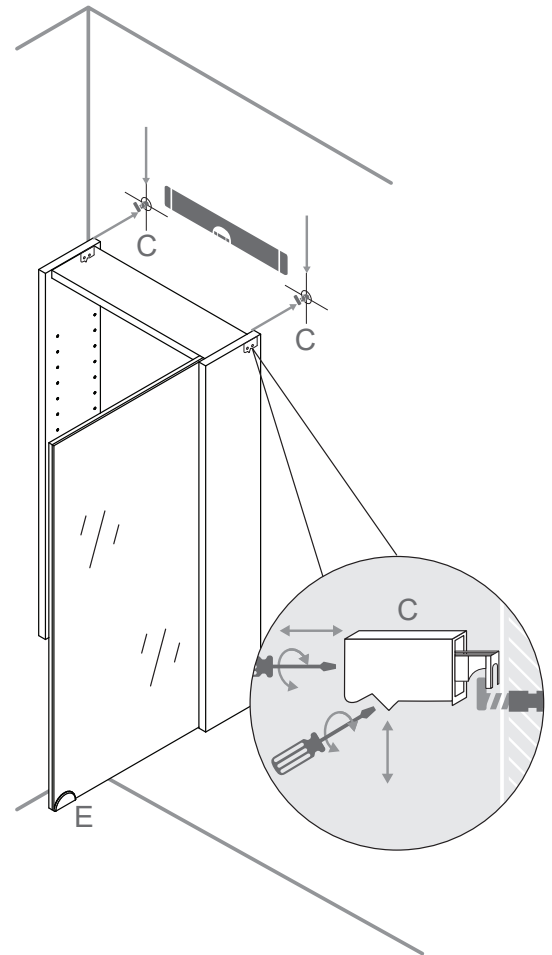


1



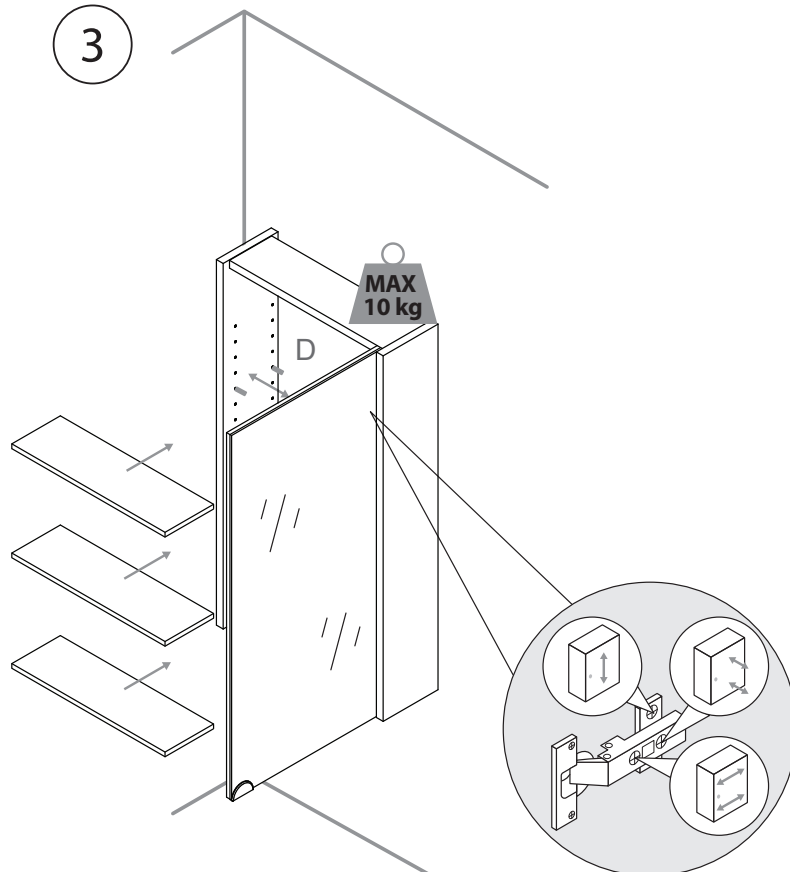
	A x2		B x2
--	---------	--	---------

2



	C x2		E x1
--	---------	--	---------

3



	D x12
--	----------