


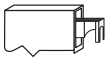

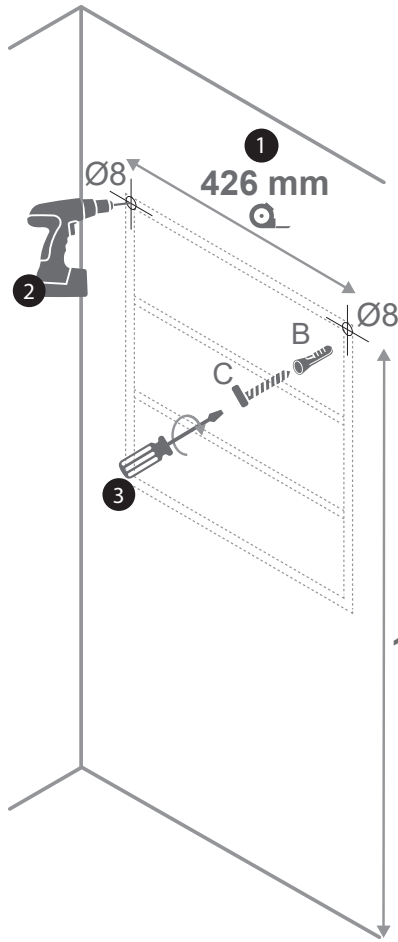


A		45x20x3 mm	x 1
B		8x40 mm	x 2
C		5,5x50 mm	x 2
D		85x40x25 mm	x 2
E		5x10 mm	x 8

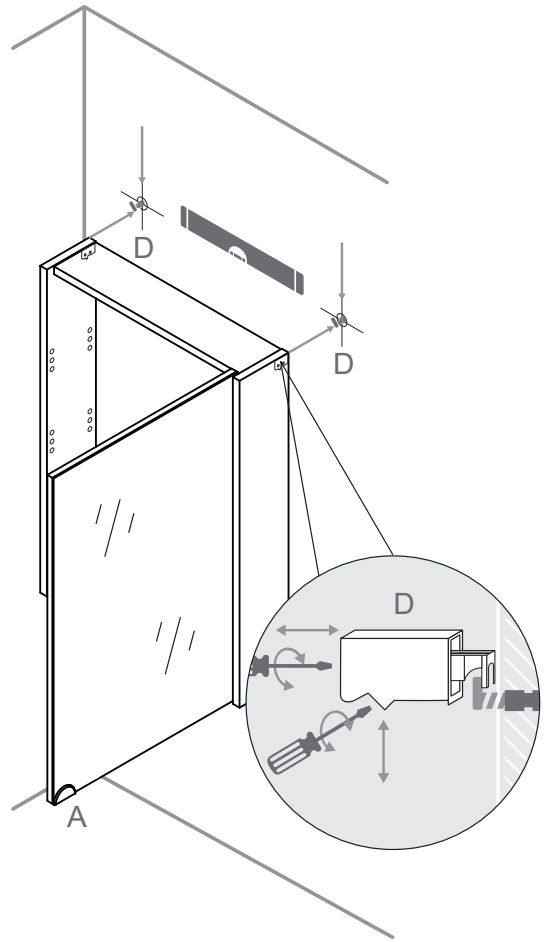


1



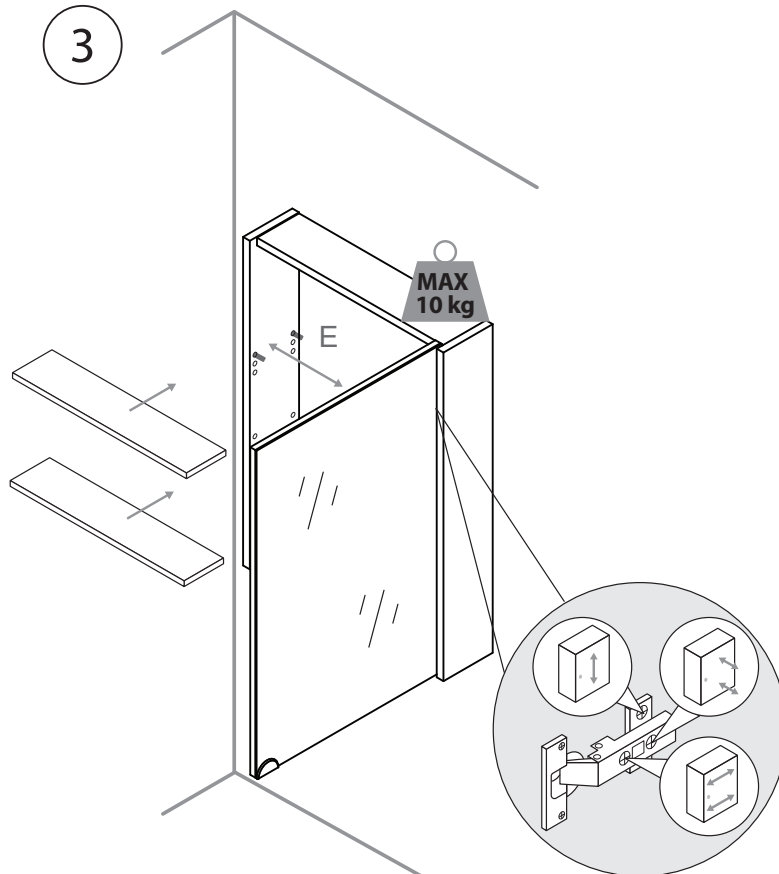
	B x2		C x2
--	---------	--	---------

2



	A x1		D x2
--	---------	--	---------

3



	E x8
--	---------