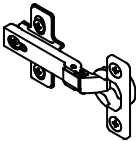

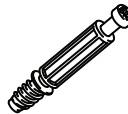






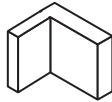




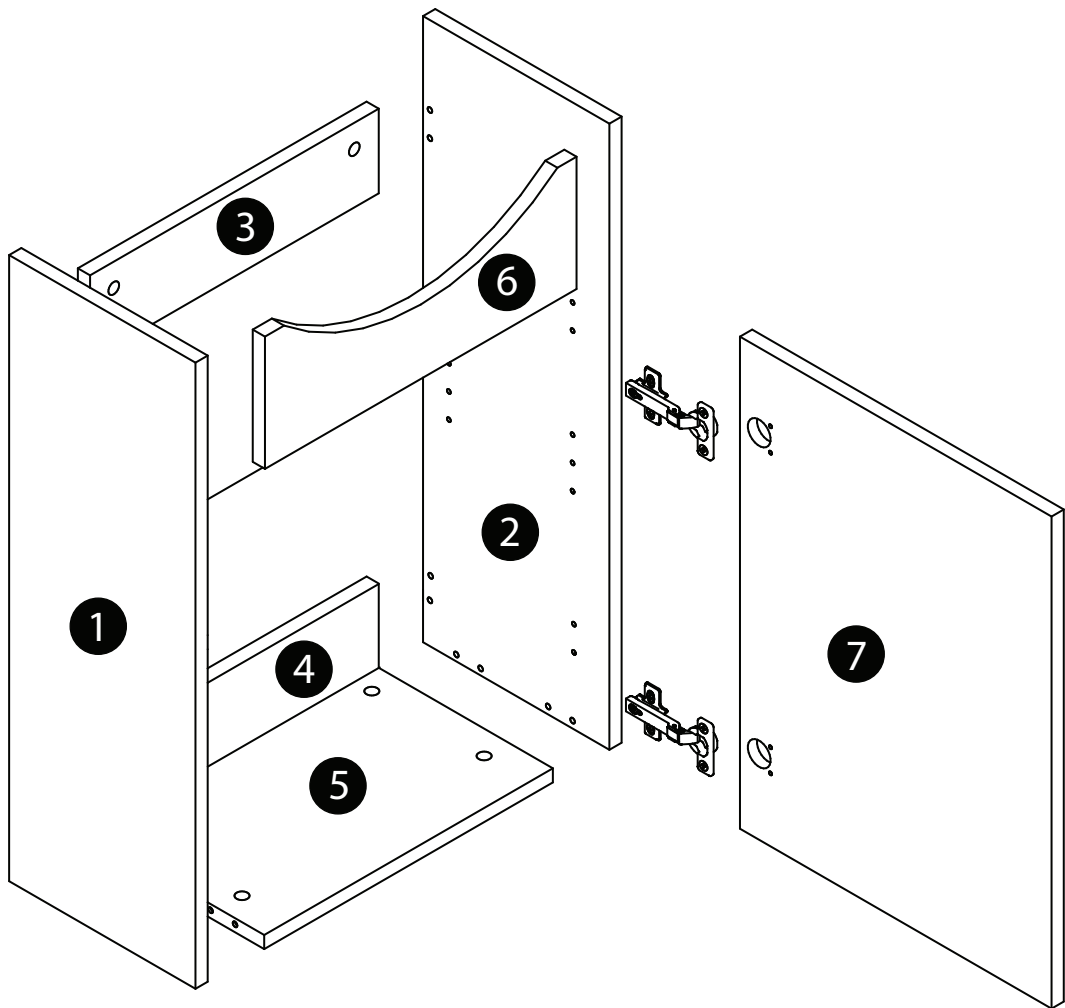
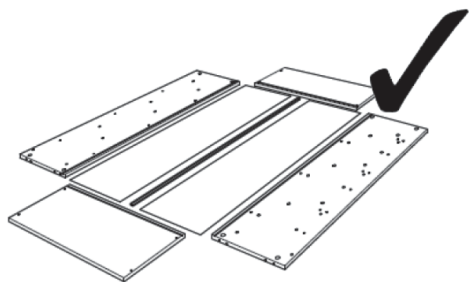
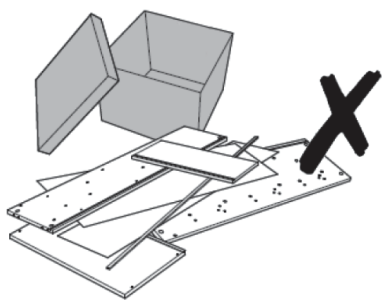




<b>A</b> $\varnothing$ 26 mm  x 2	<b>B</b> $\varnothing$ 15x12.5 mm  x 6	<b>C</b> $\varnothing$ 7.5x44 mm  x 6	<b>D</b> $\varnothing$ 20x0.5 mm  x 11
<b>E</b> 15 ml.  x 1	<b>F</b> $\varnothing$ 8x30 mm  x 10	<b>G</b> $\varnothing$ 3.5x16 mm  x 20	<b>H</b> $\varnothing$ 8x40 mm  x 2
<b>I</b> $\varnothing$ 5x50 mm  x 2	<b>J</b> 50x45x35 mm  x 2	<b>K</b> 43x20x20 mm  x 2	<b>L</b> $\varnothing$ 5x10 mm  x 4
<b>M</b> $\varnothing$ 4x22 mm  x 1	<b>N</b> 50x32x10 mm  x 1		

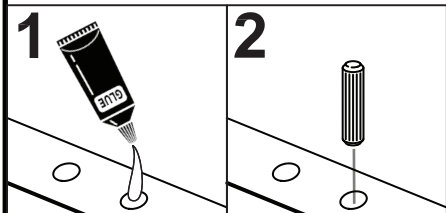
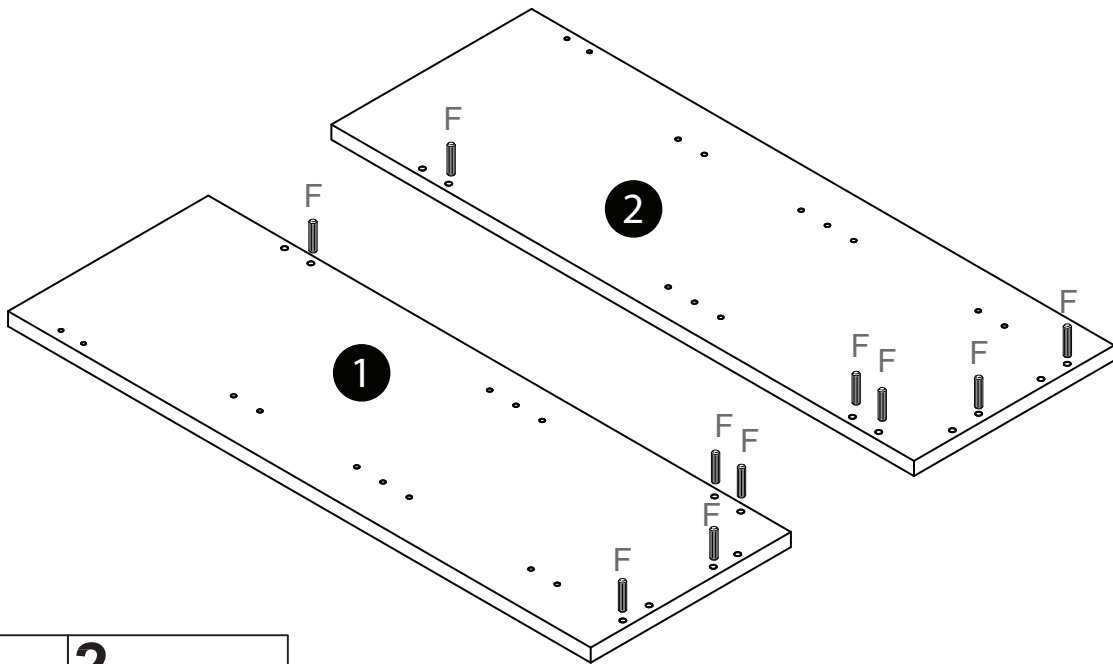


1



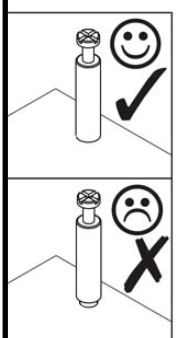
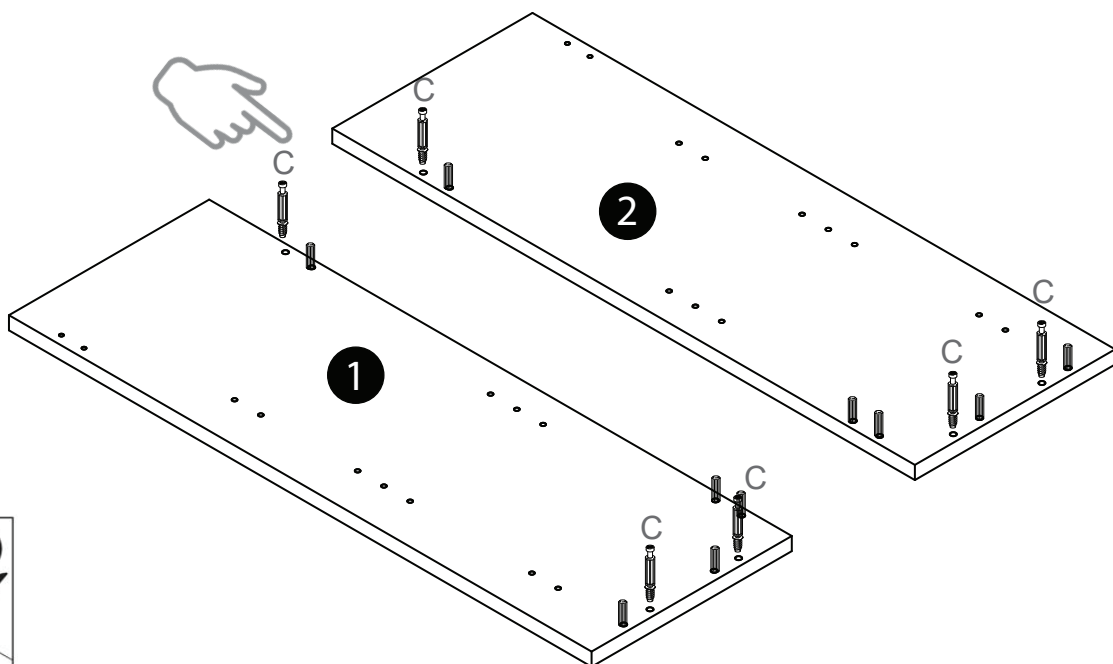
2

	<b>E</b> 15 ml.
	<b>F</b> x10




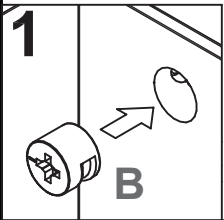
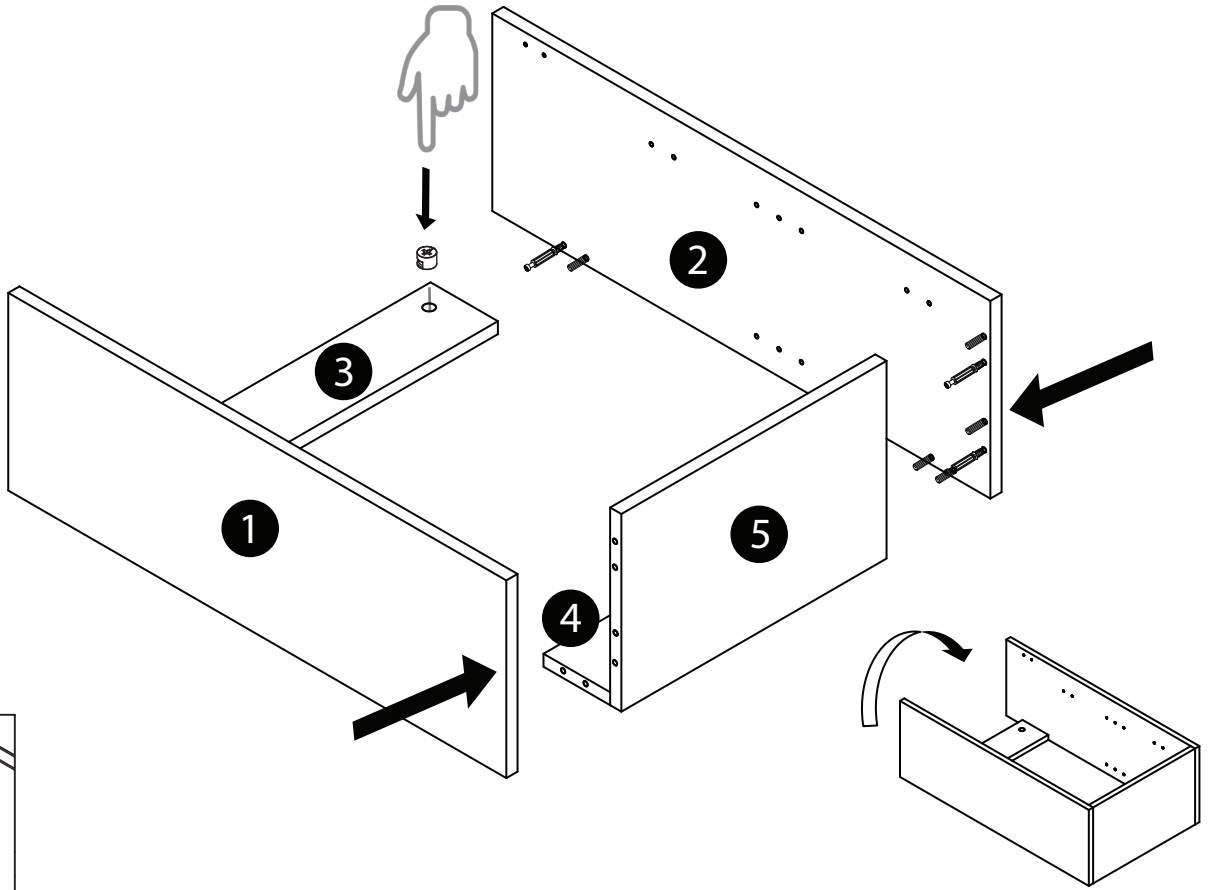
3

	<b>C</b> x6
---	----------------






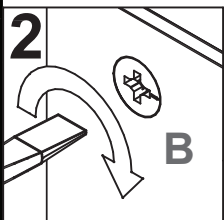
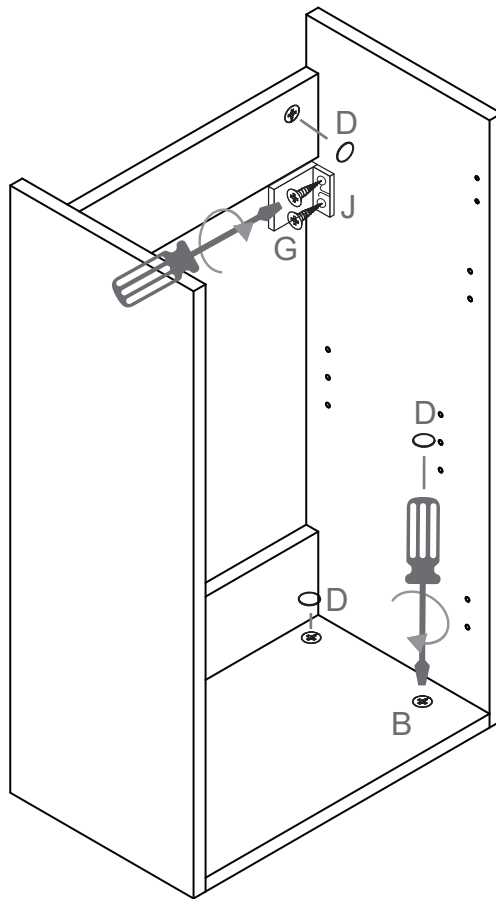
4

	<b>B</b> x6
--	----------------

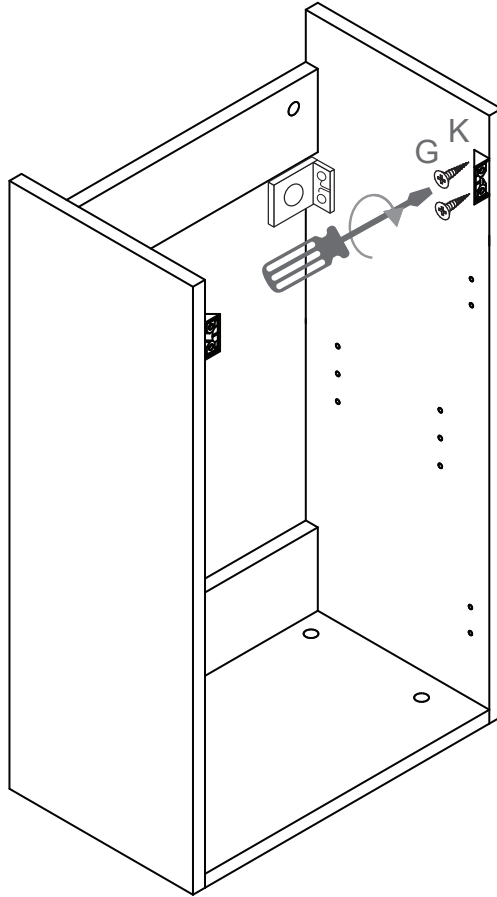




5

	<b>J</b> x2
	<b>D</b> x6
	<b>G</b> x4

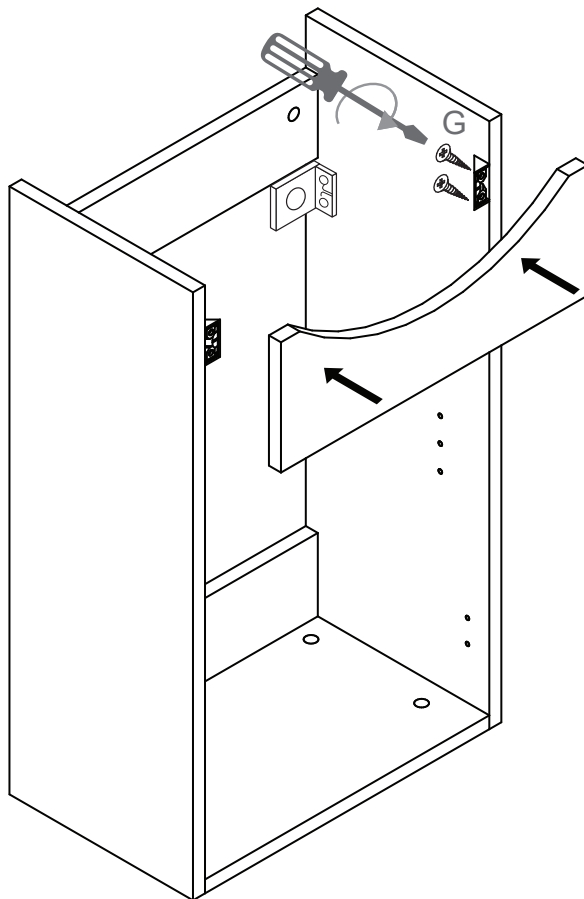


6



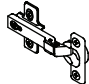

	<b>K</b> x2
	<b>G</b> x4

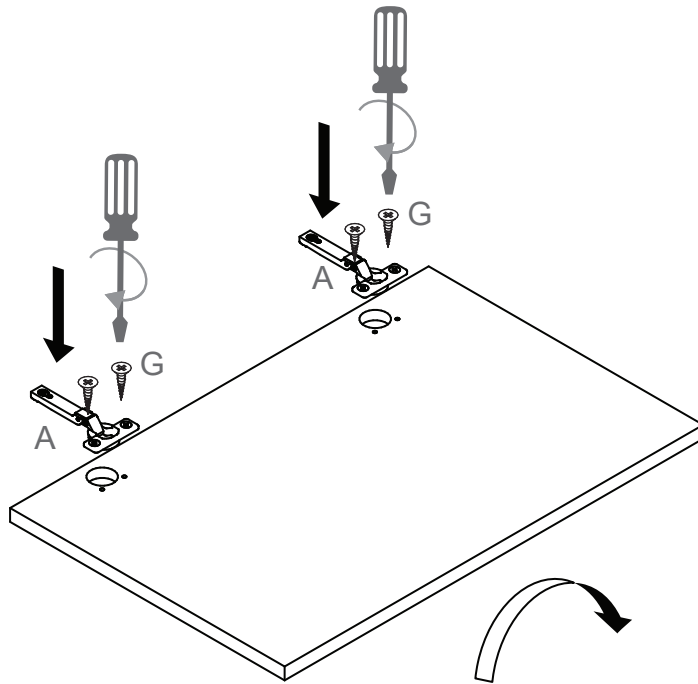
7



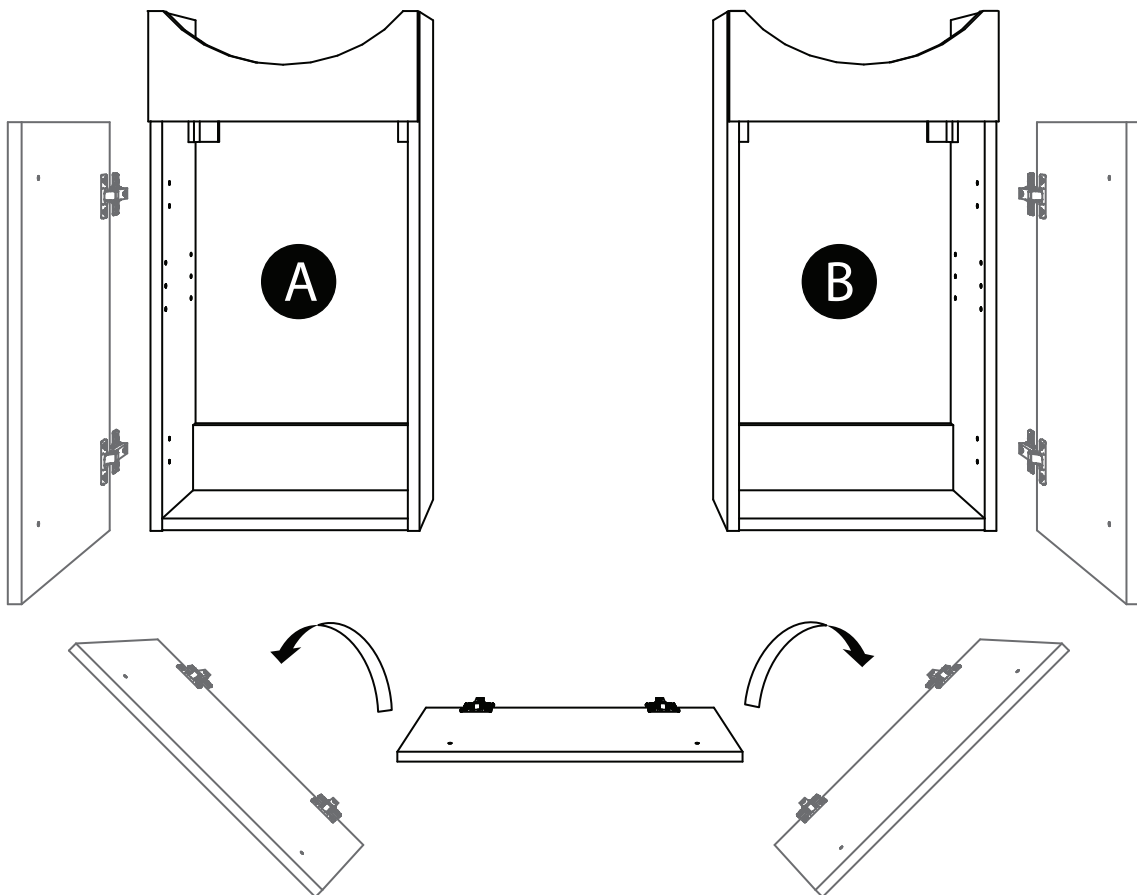
	<b>G</b> x4
---	----------------

8

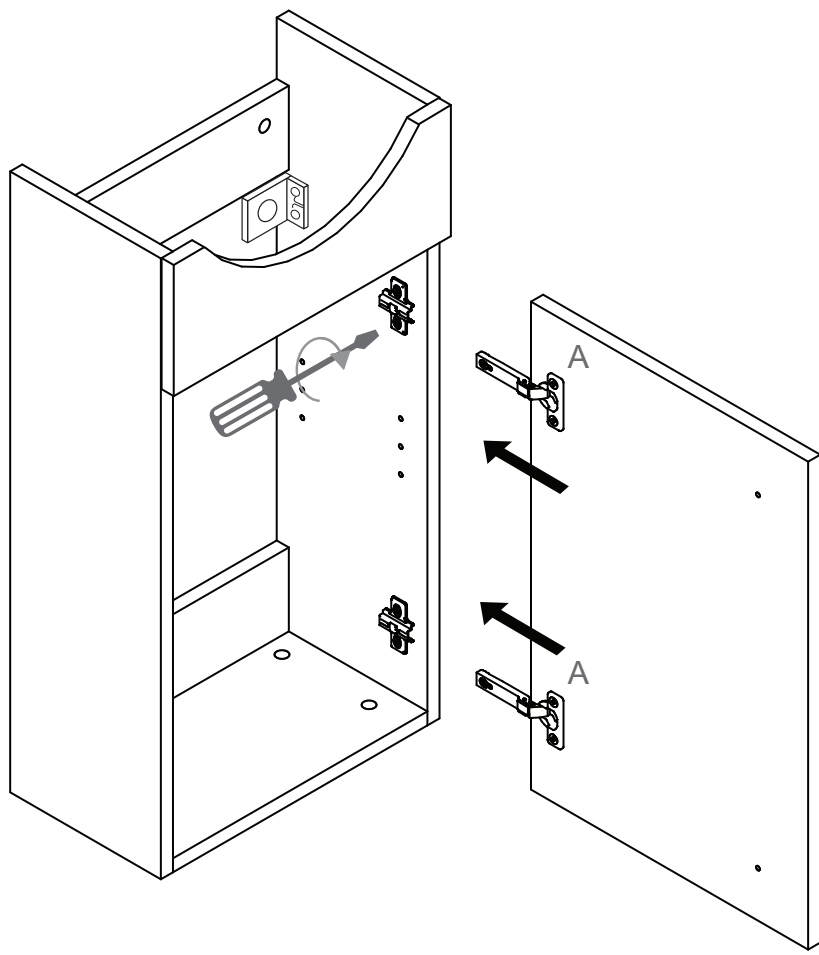
	<b>A</b> x2
	<b>G</b> x8




9

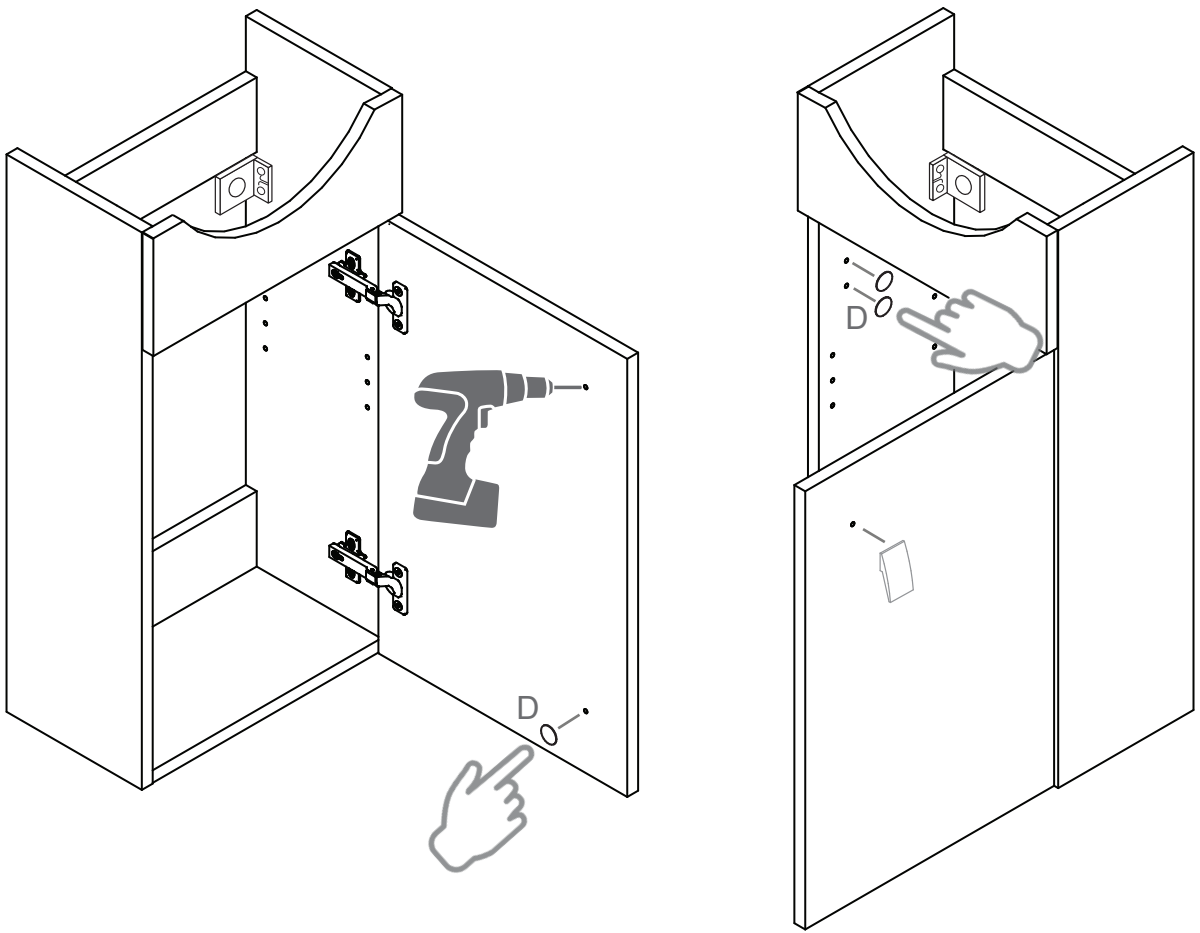


10



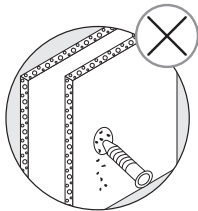
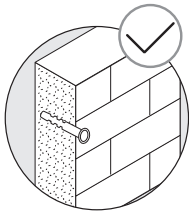
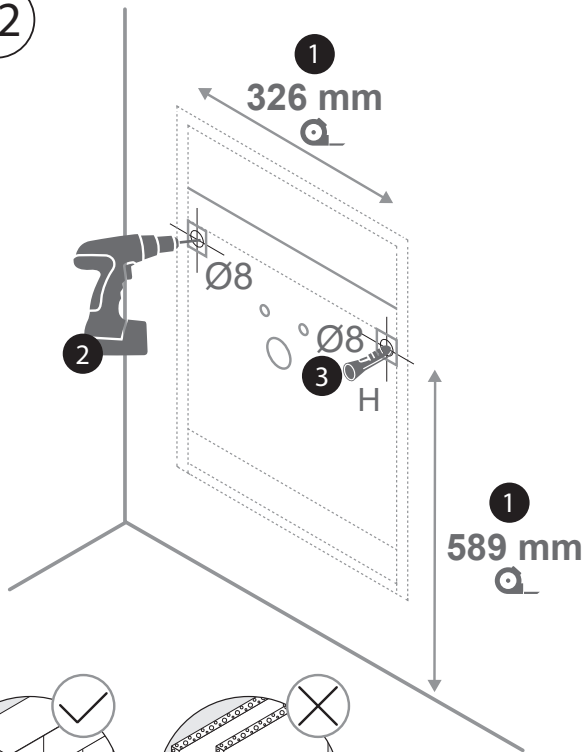
11

 **D**  
x5

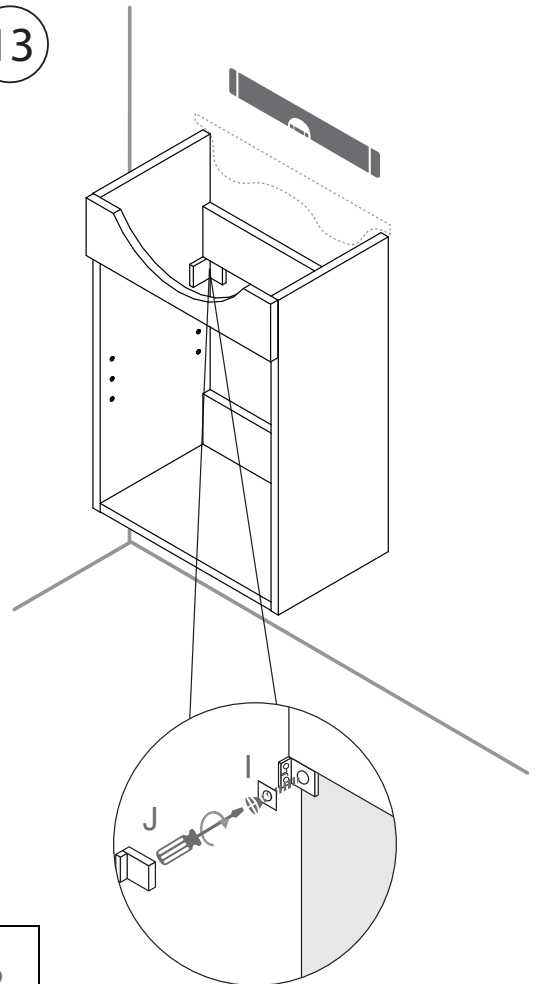




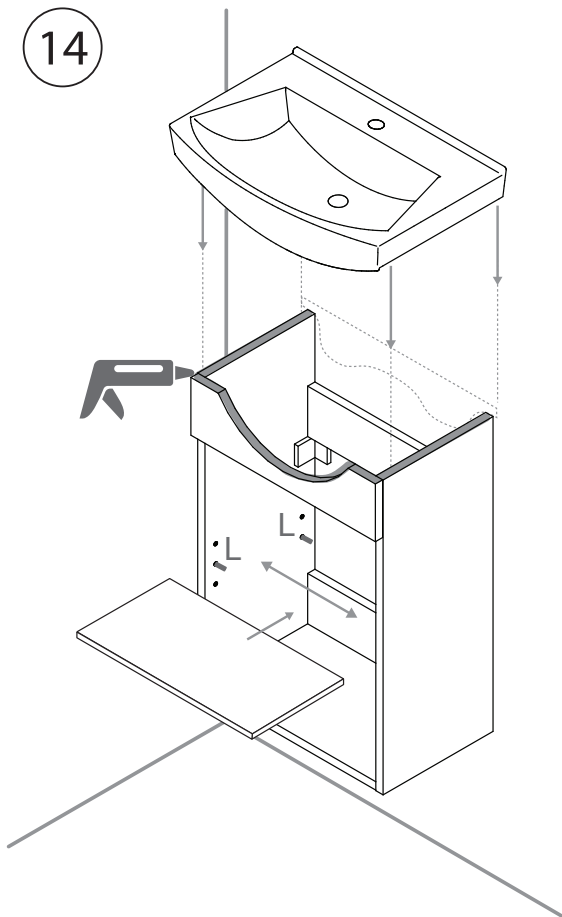
12



13



14



15

