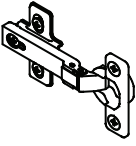

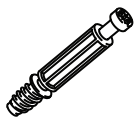






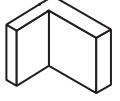
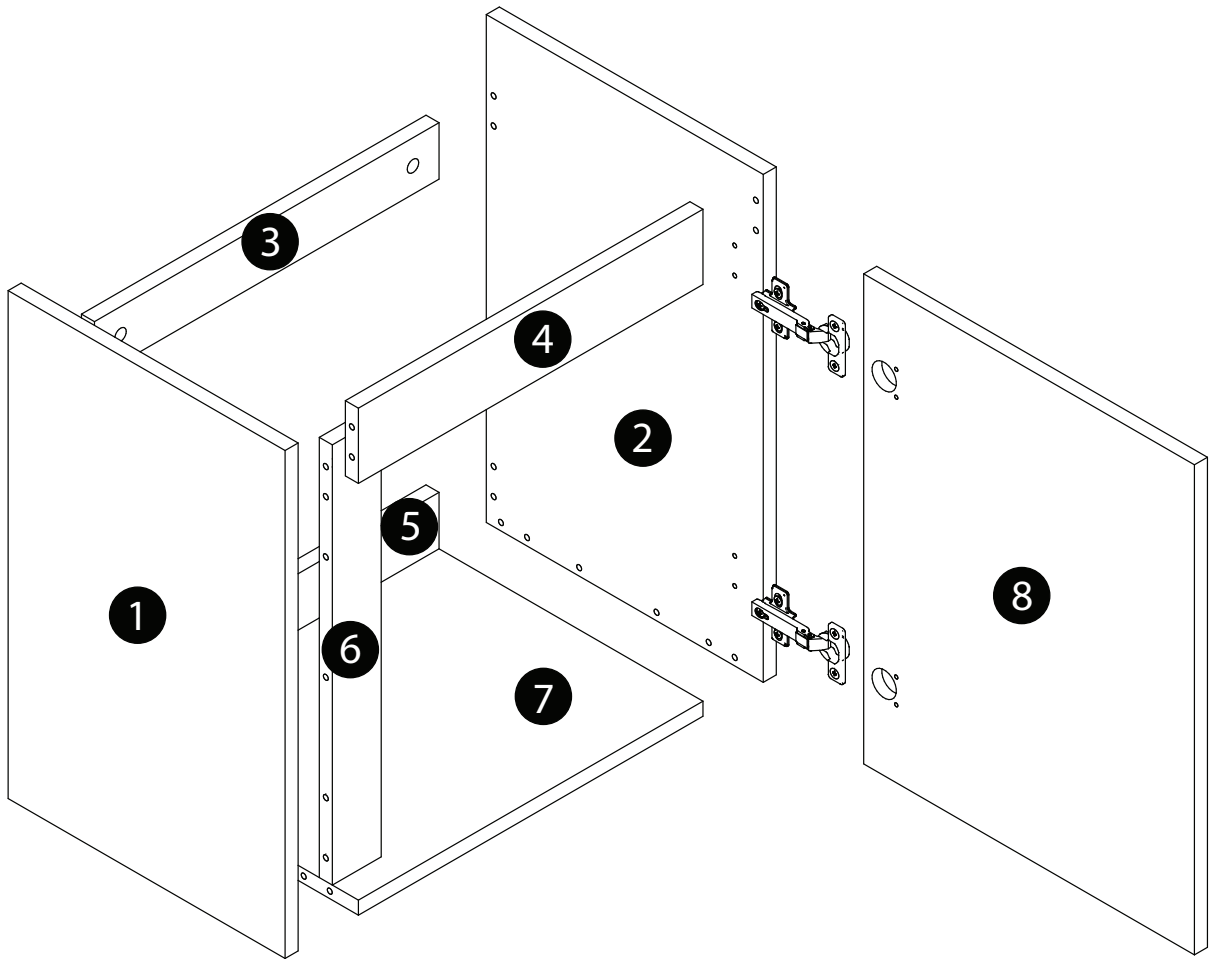
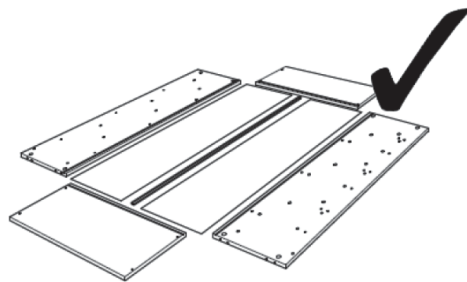
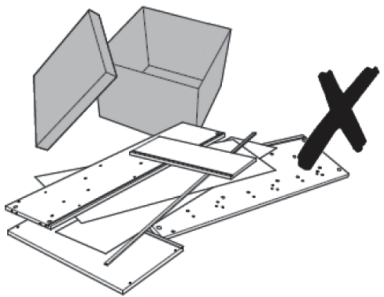




<b>A</b> 103x23 mm  x 2	<b>B</b> 15x12.5 mm  x 8	<b>C</b> 7.5x44 mm  x 8	<b>D</b> 20x0.5 mm  x 8
<b>E</b> 15 ml.  x 1	<b>F</b> 8x30 mm  x 23	<b>G</b> 3.5x16 mm  x 12	<b>H</b> 8x40 mm  x 2
<b>I</b> 5x50 mm  x 2	<b>J</b> 50x45x35 mm  x 2		

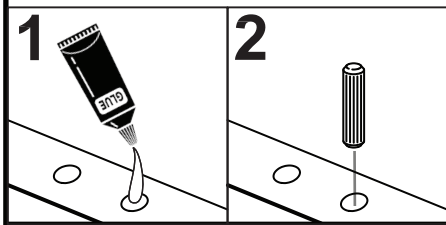
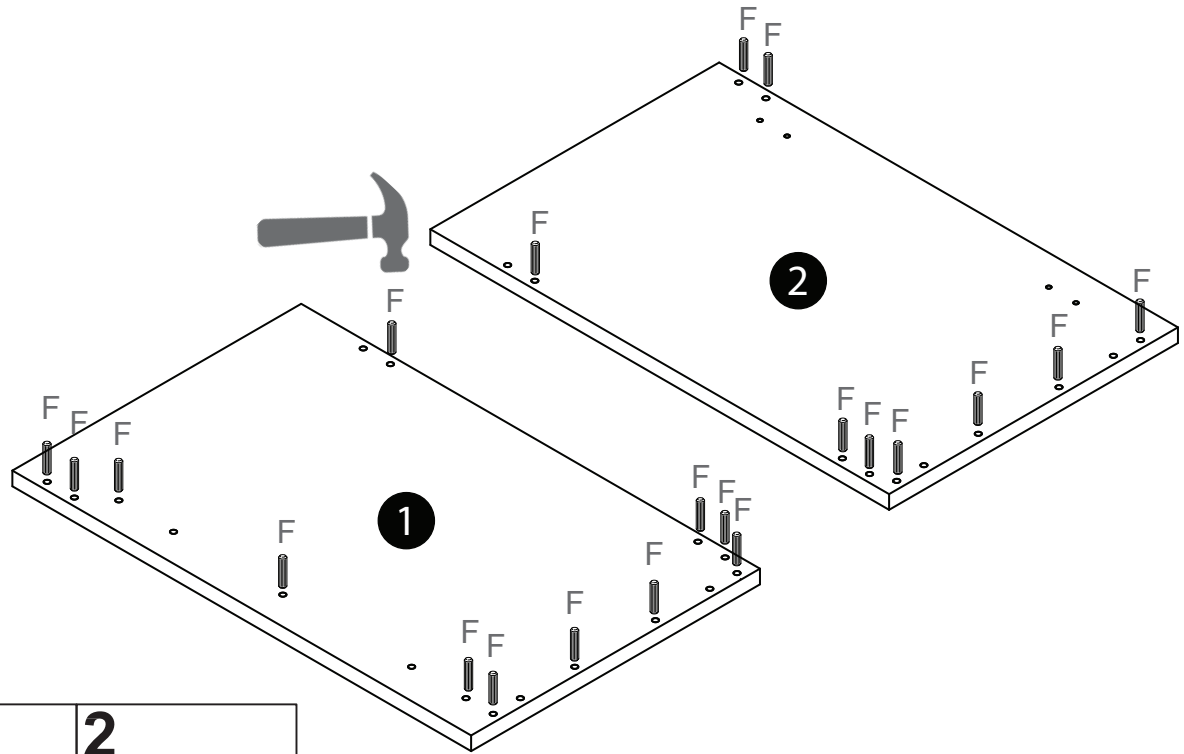


1




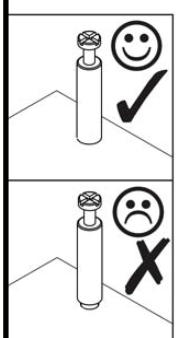
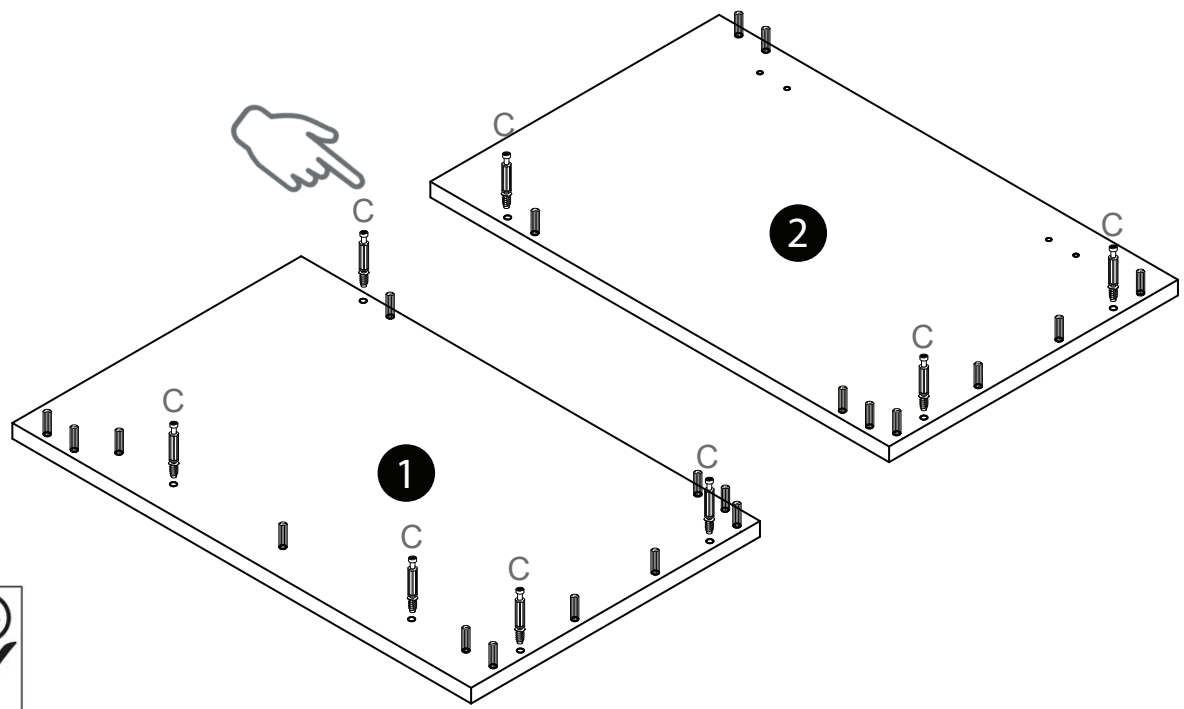
2

	<b>F</b> x21		<b>E</b> 15 ml.
-----------------------------------------------------------------------------------	-----------------	------------------------------------------------------------------------------------	--------------------




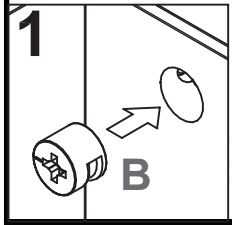
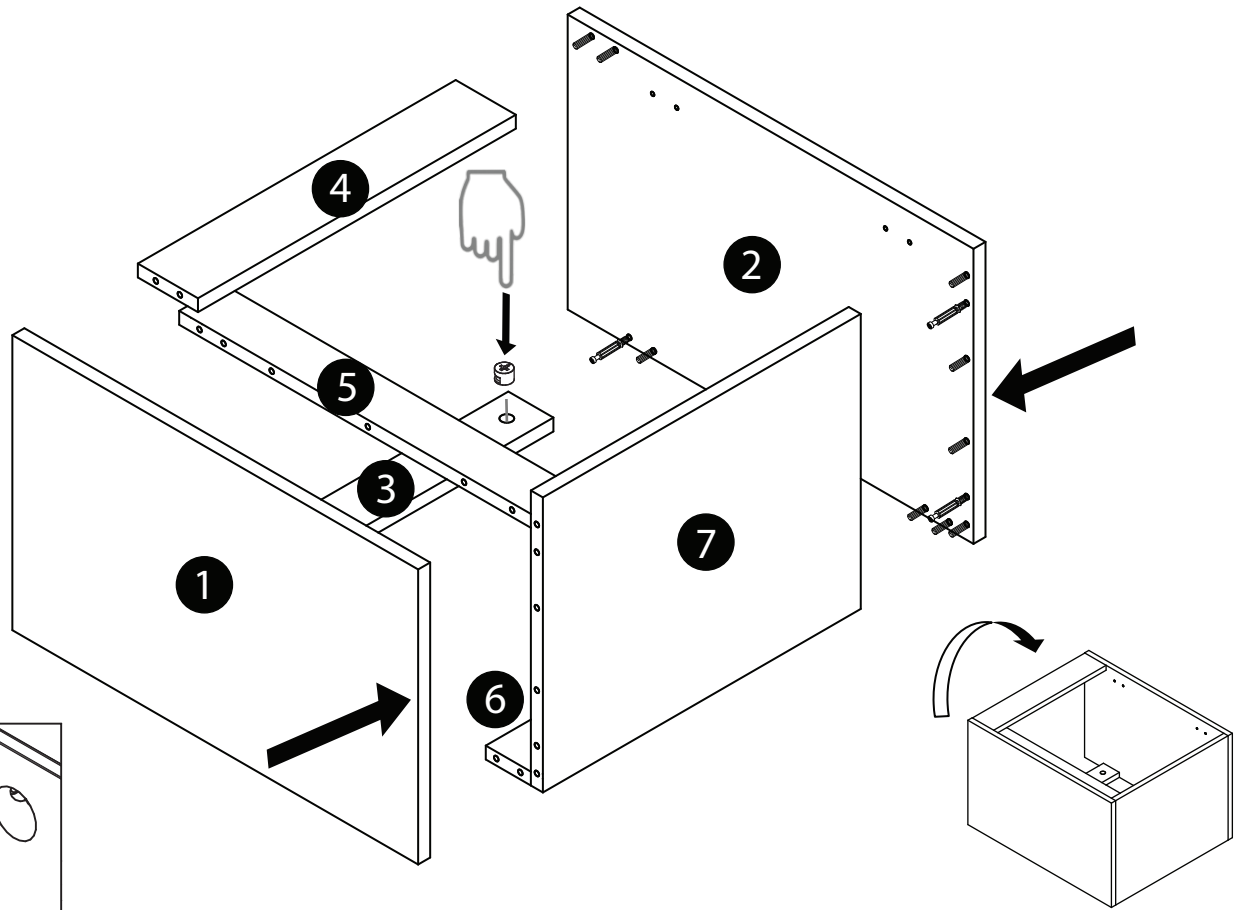
3

	<b>C</b> x8
---------------------------------------------------------------------------------------	----------------






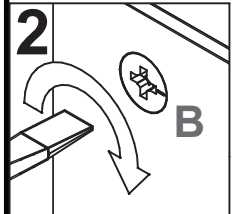
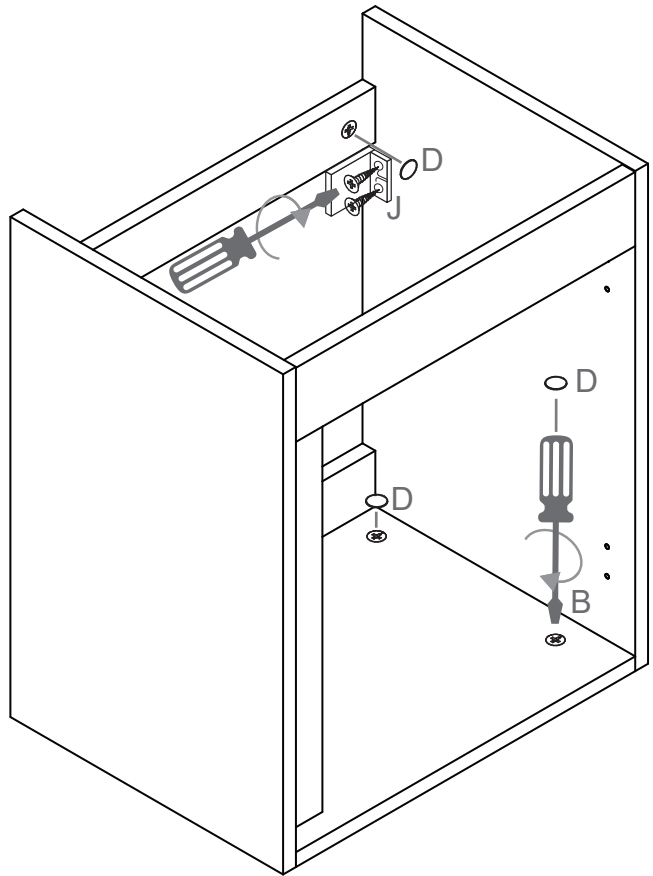
4

	<b>B</b> x8
-------------------------------------------------------------------------------------	----------------





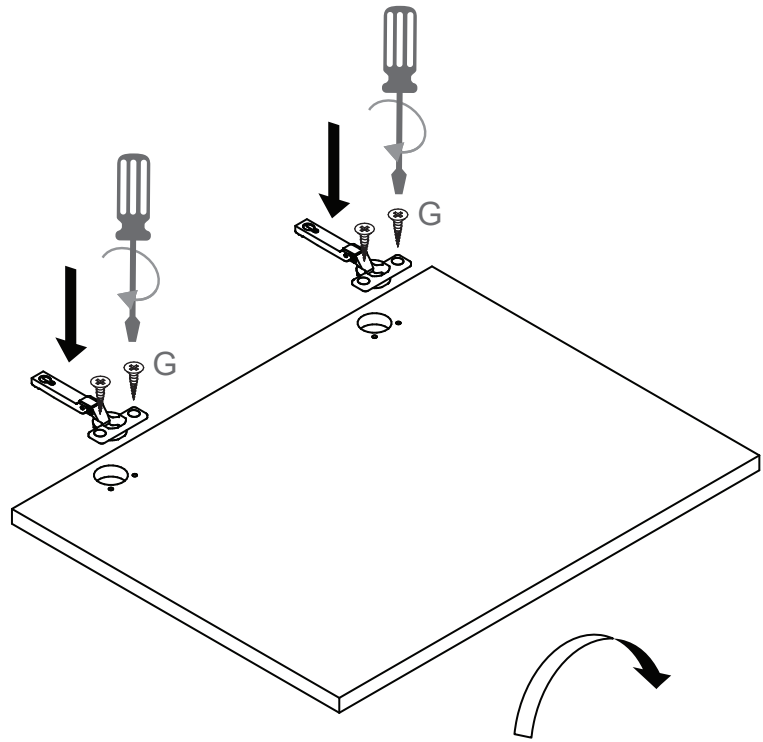
5

	<b>J</b> x2
	<b>D</b> x8
	<b>G</b> x4



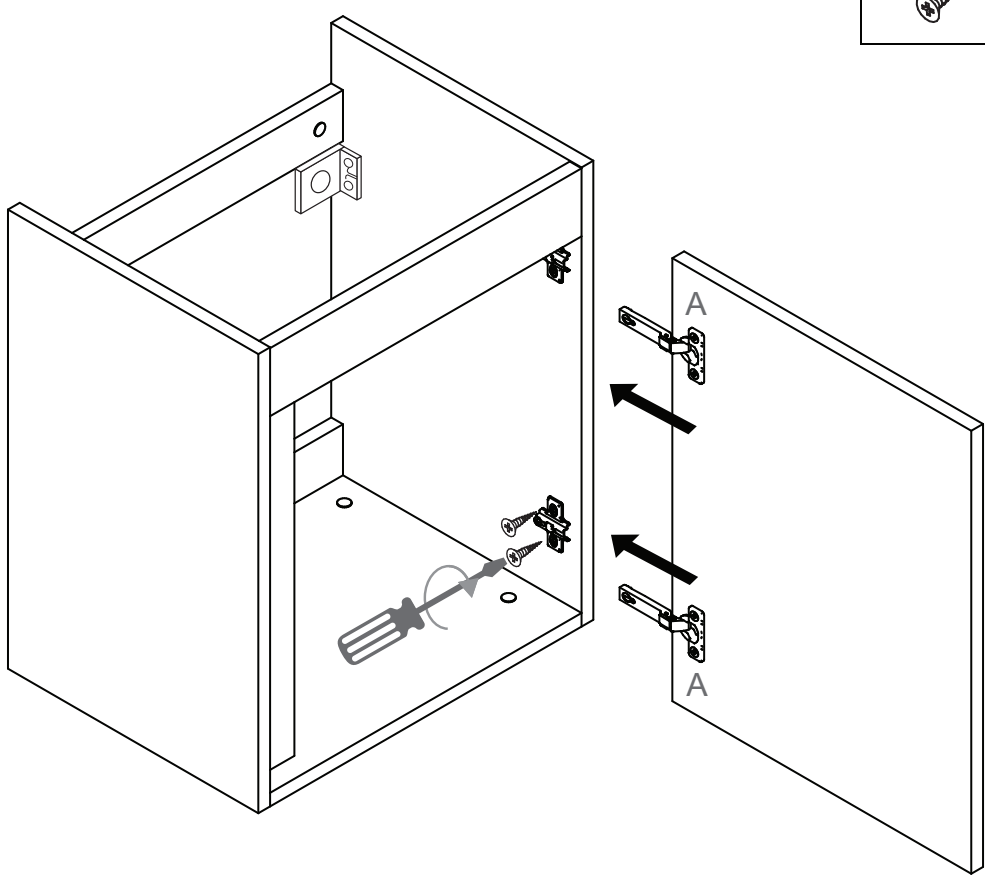
6

	<b>A</b> x2
	<b>G</b> x4



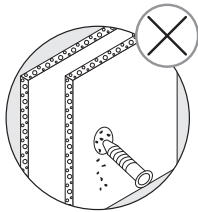
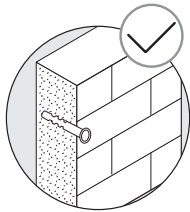
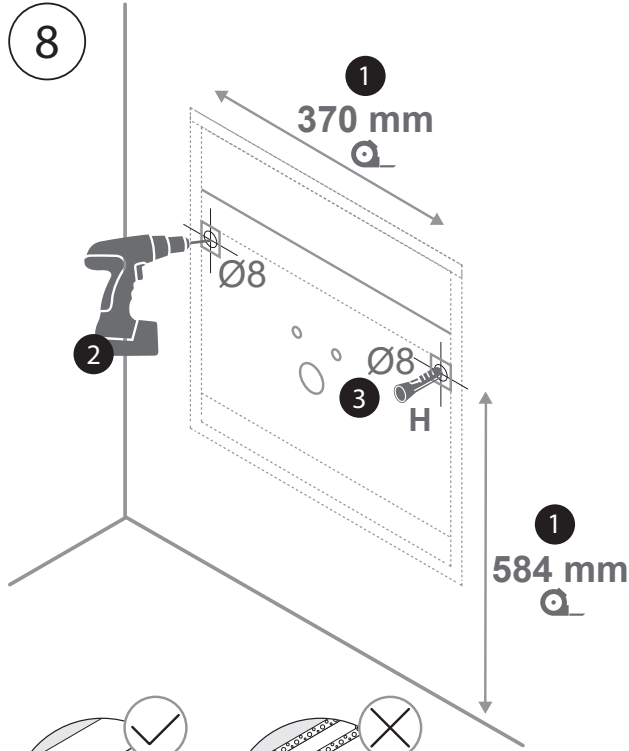
7

	<b>G</b> x4
---------------------------------------------------------------------------------------	----------------



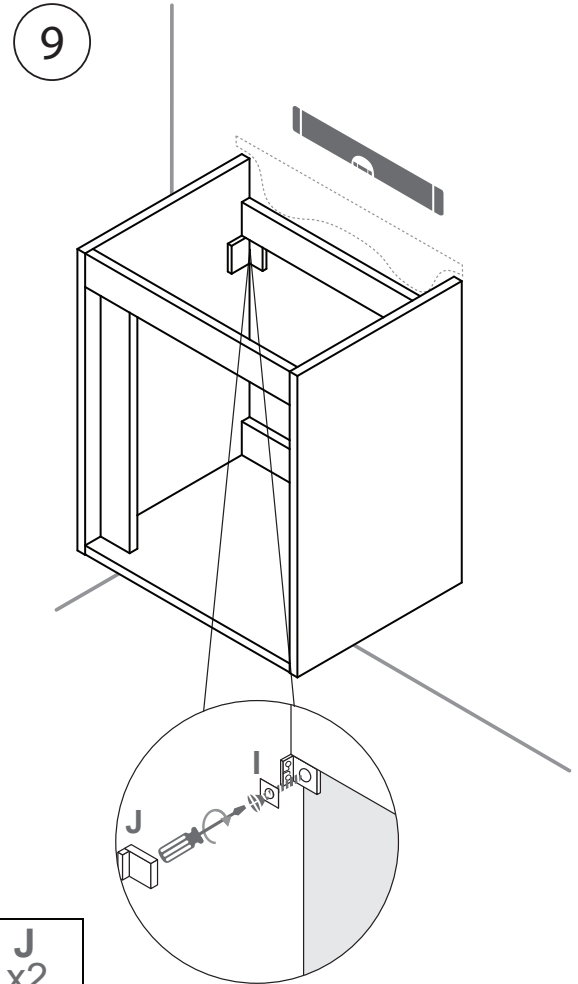


8

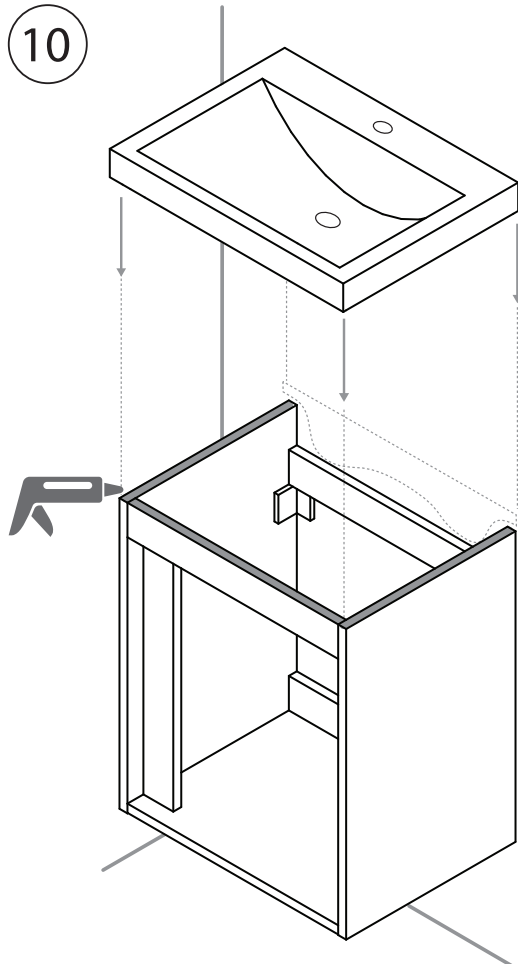


	H x2		I x2		J x2
--	---------	--	---------	--	---------

9



10



11

