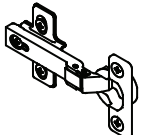

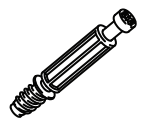


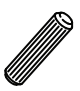



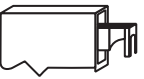
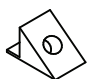



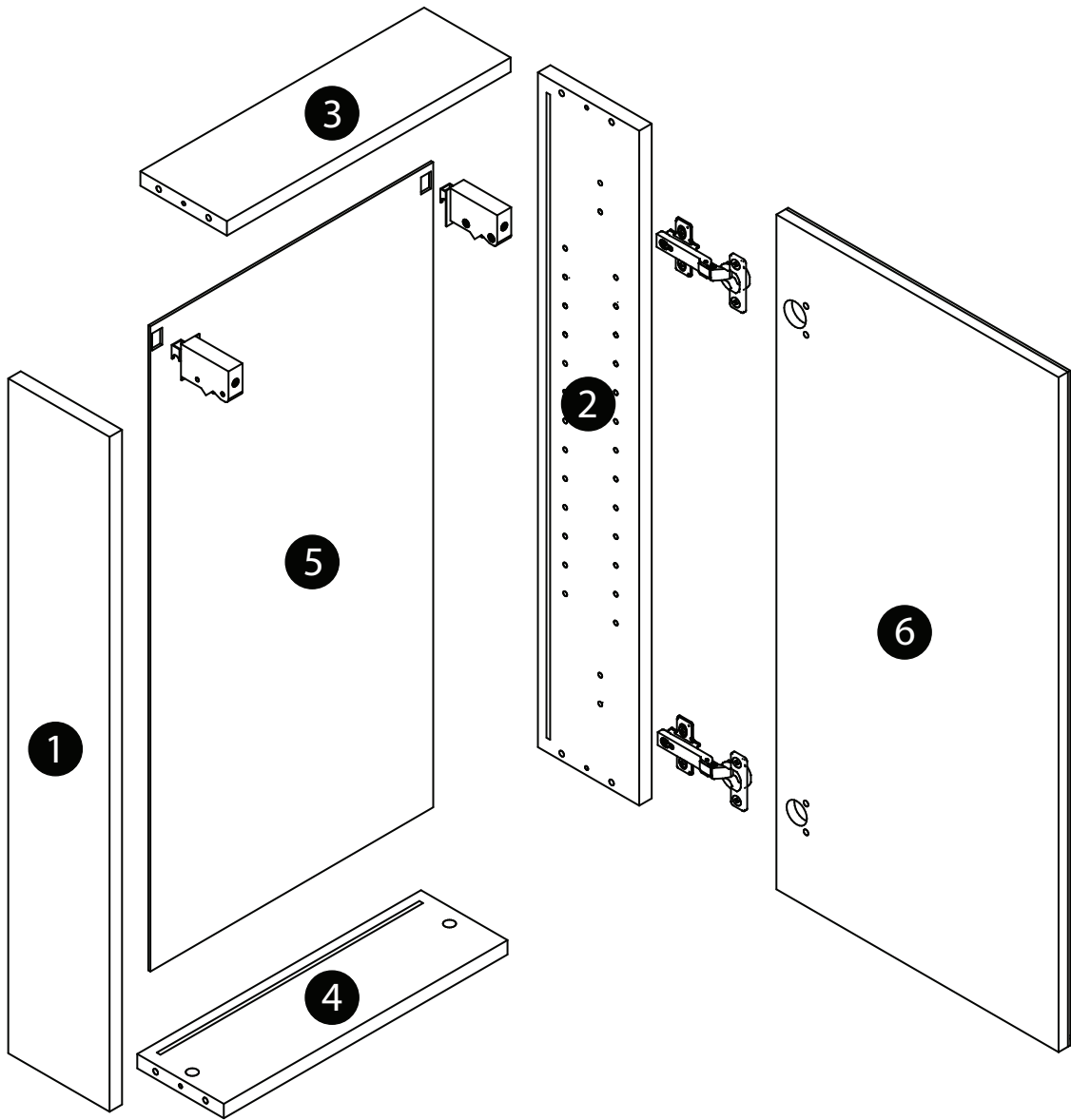
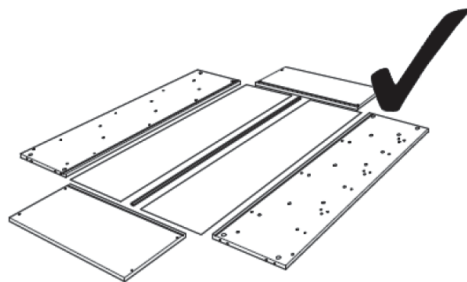
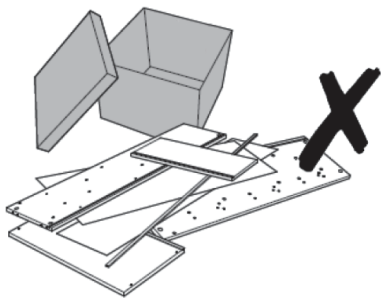




<b>A</b> $\varnothing$ 26 mm  x 2	<b>B</b> $\varnothing$ 15x12.5 mm  x 4	<b>C</b> $\varnothing$ 7.5x44 mm  x 4	<b>D</b> 20x0.5 mm  x 8
<b>E</b> 15 ml.  x 1	<b>F</b> $\varnothing$ 8x30 mm  x 8	<b>G</b> $\varnothing$ 3.5x16 mm  x 8	<b>H</b> $\varnothing$ 8x40 mm  x 2
<b>I</b> 5,5x50 mm  x 2	<b>J</b> 85x40x25 mm  x 2	<b>K</b> 14x14x12 mm  x 4	<b>L</b> $\varnothing$ 5x10 mm  x 12
<b>M</b> 45x20x3 mm  x 1	<b>N</b> $\varnothing$ 3.5x40 mm  x 4		

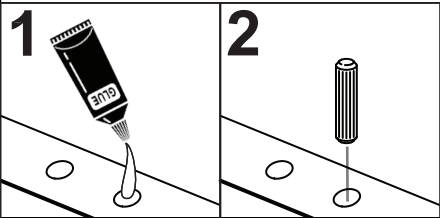
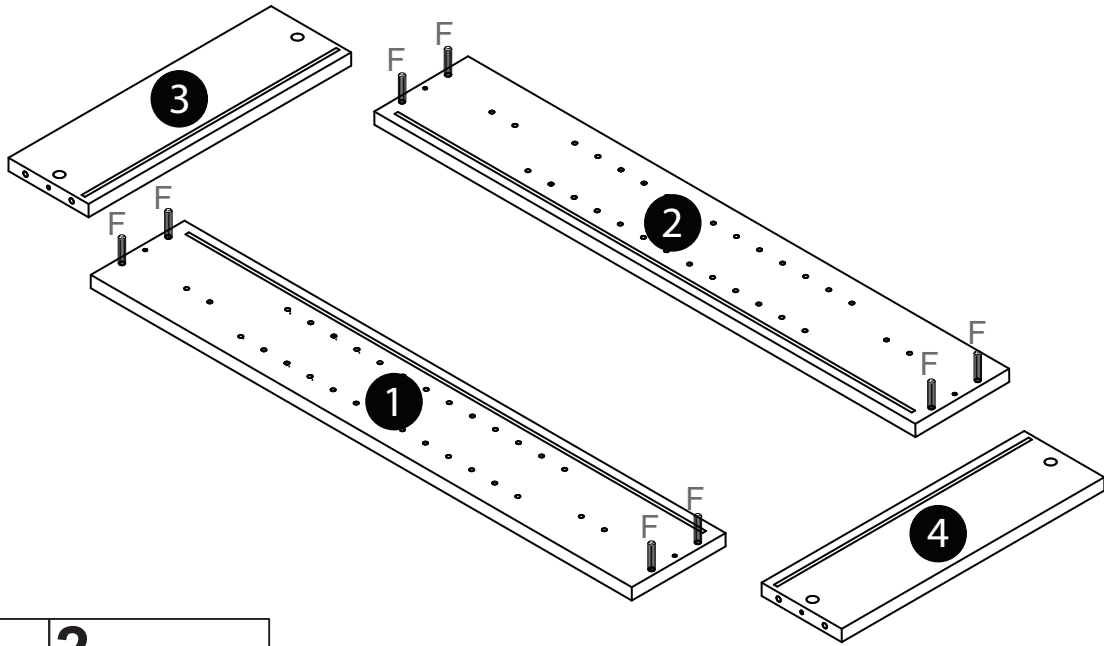


1




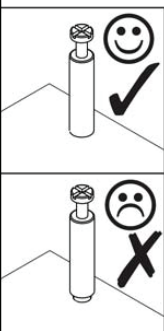
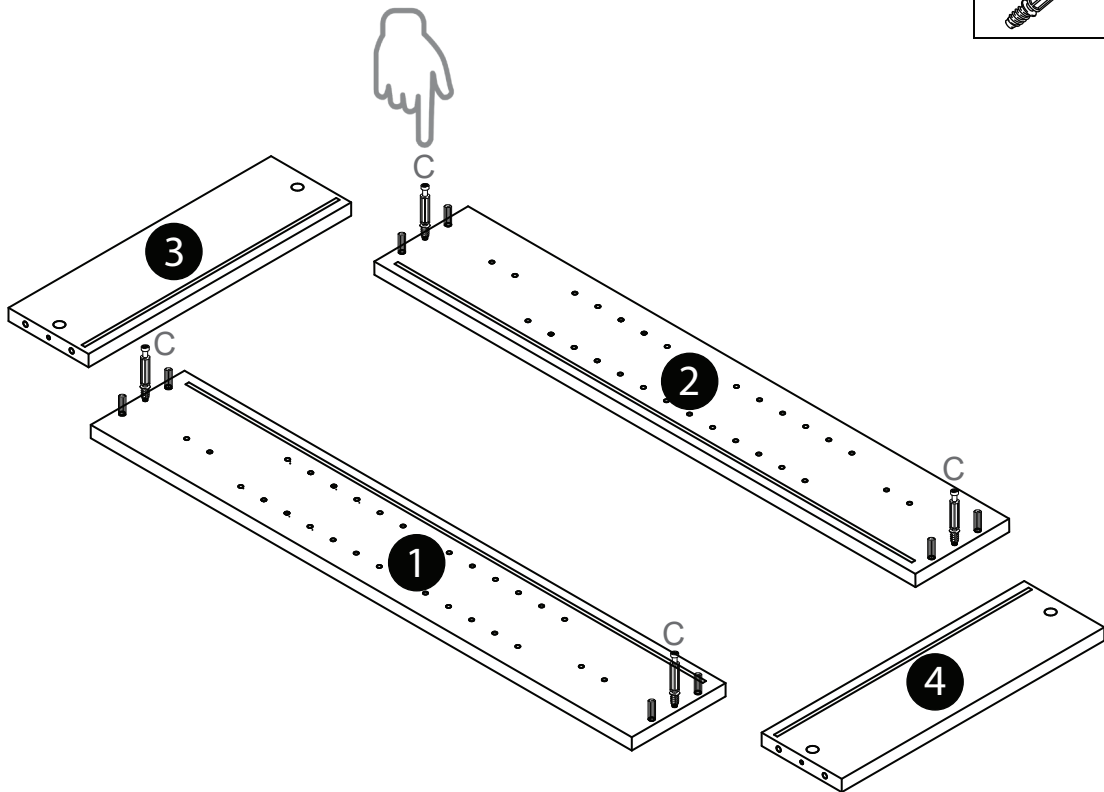
2

	<b>F</b> x8		<b>E</b> 15 ml.
---	----------------	--	--------------------



3

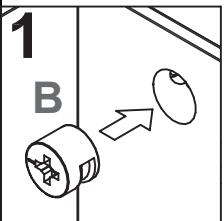
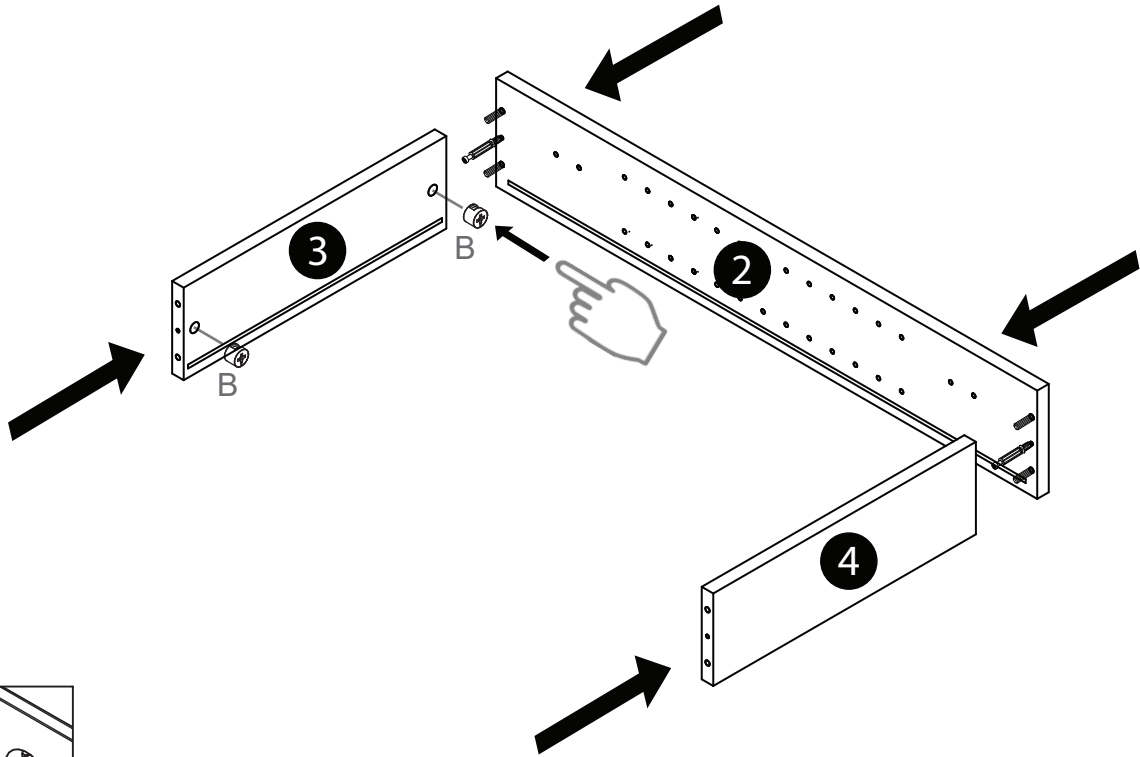
	<b>C</b> x4
---	----------------



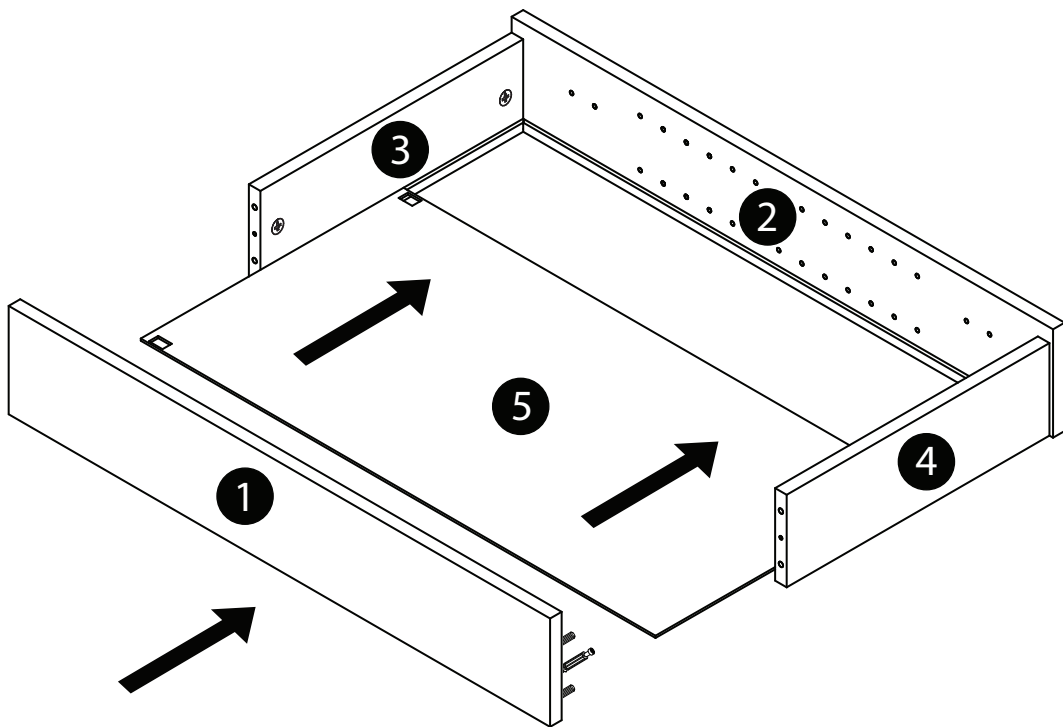
4



B  
x4

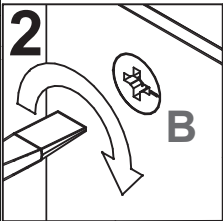
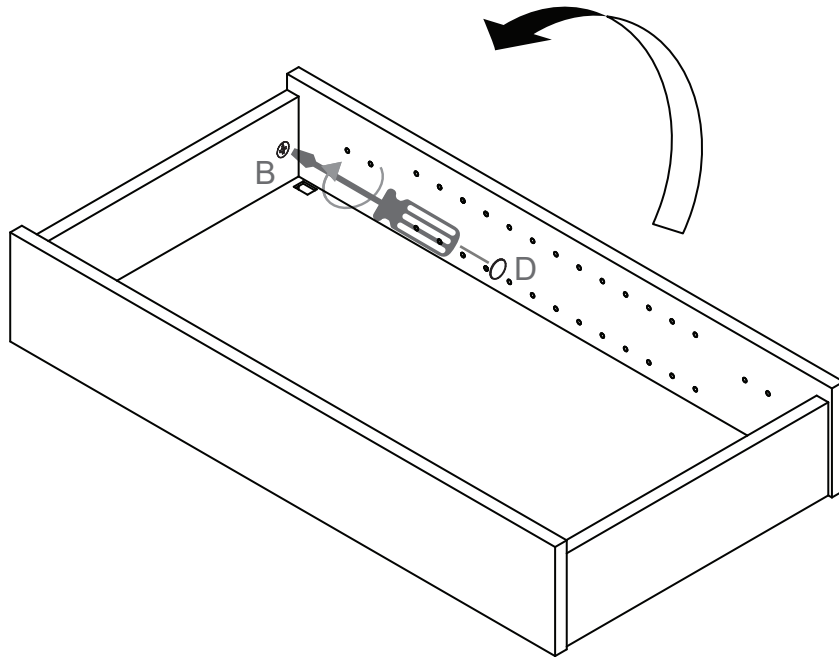


5

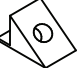


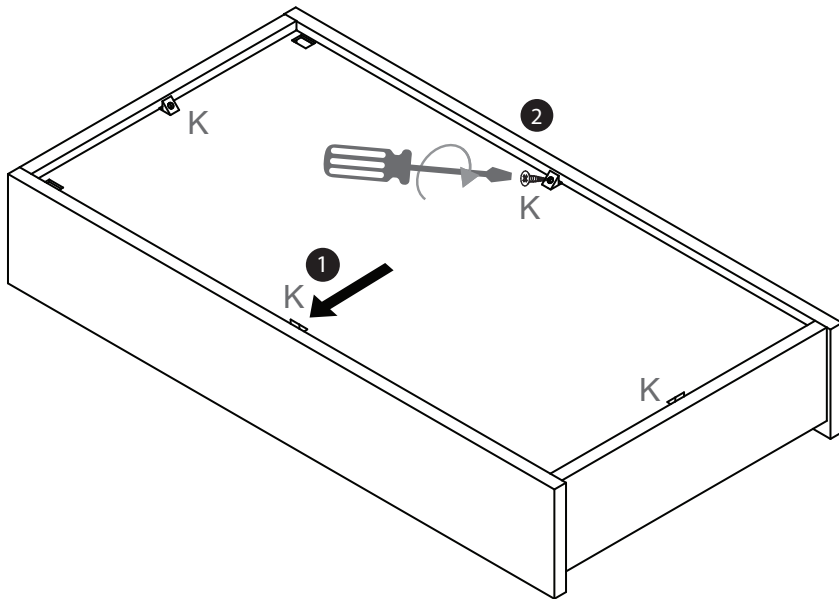
6

 **D**  
x4


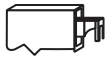


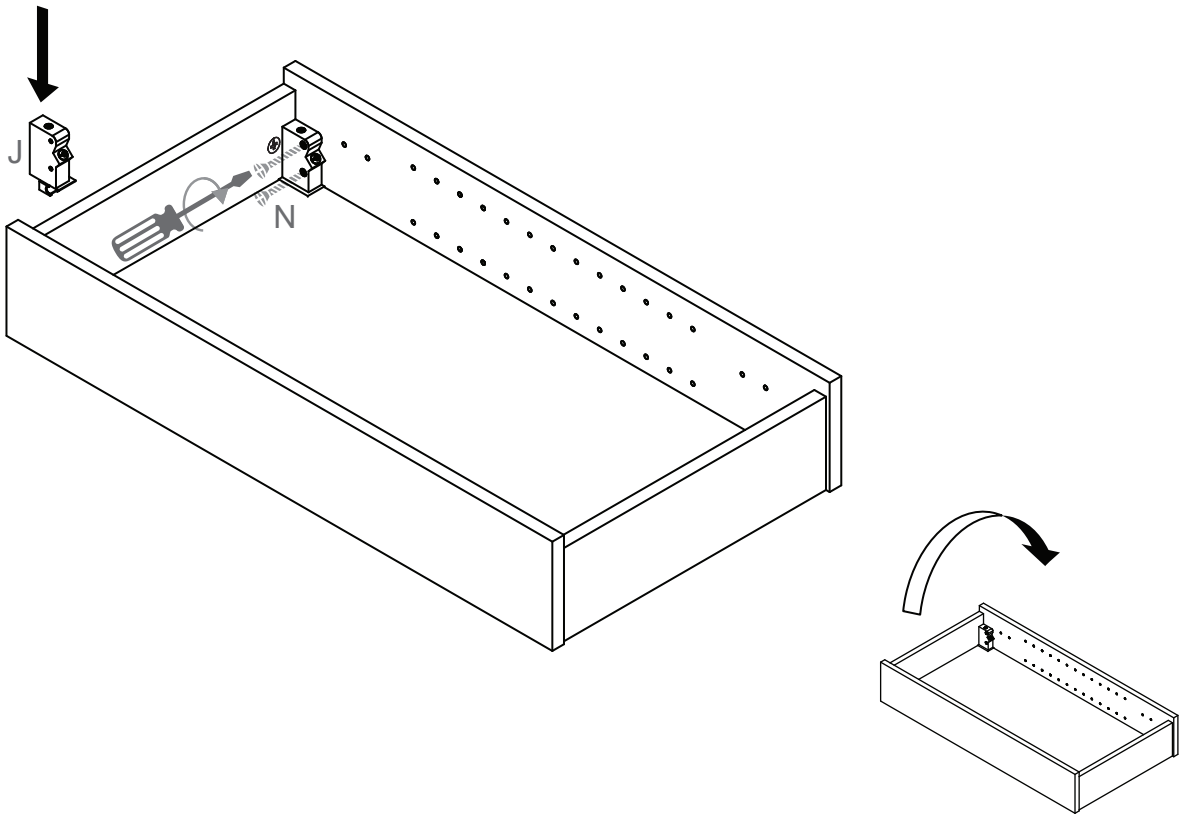
7

 **K**  
x4





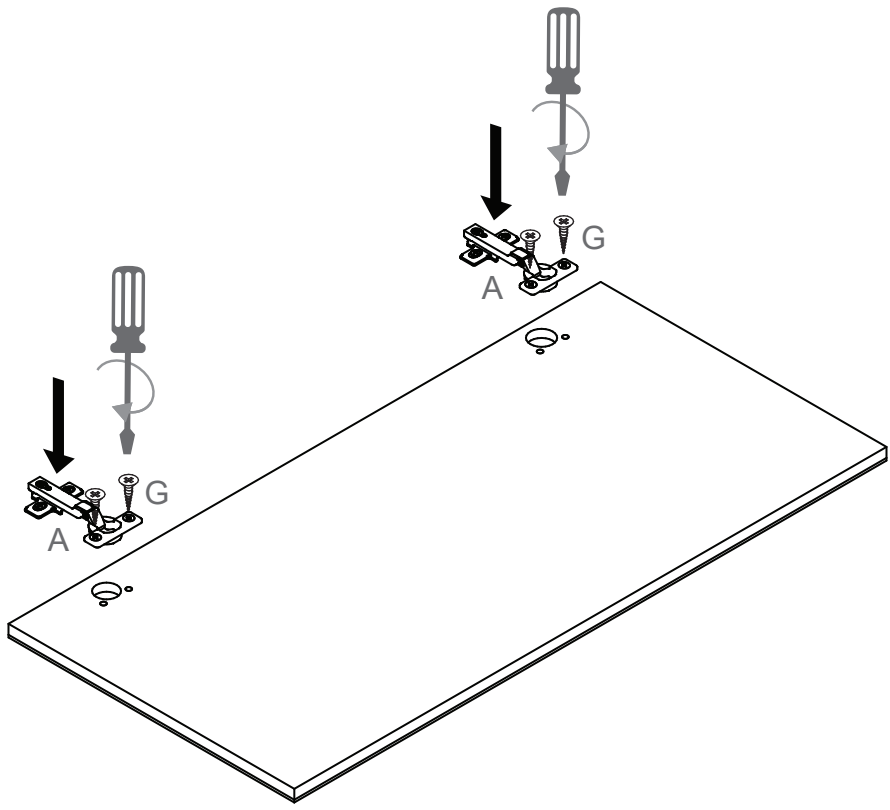
8

- |   |                |  |                |
|---|----------------|--|----------------|
|  | <b>N</b><br>x4 |  | <b>J</b><br>x2 |
|---|----------------|--|----------------|

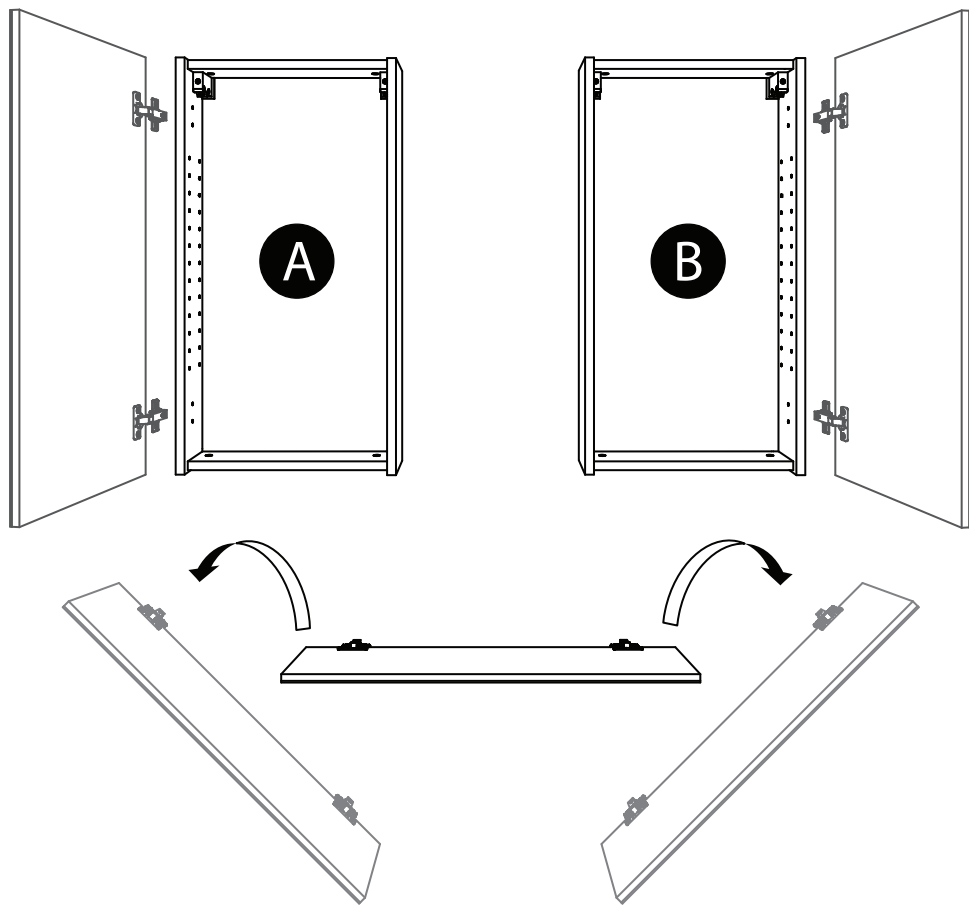


9

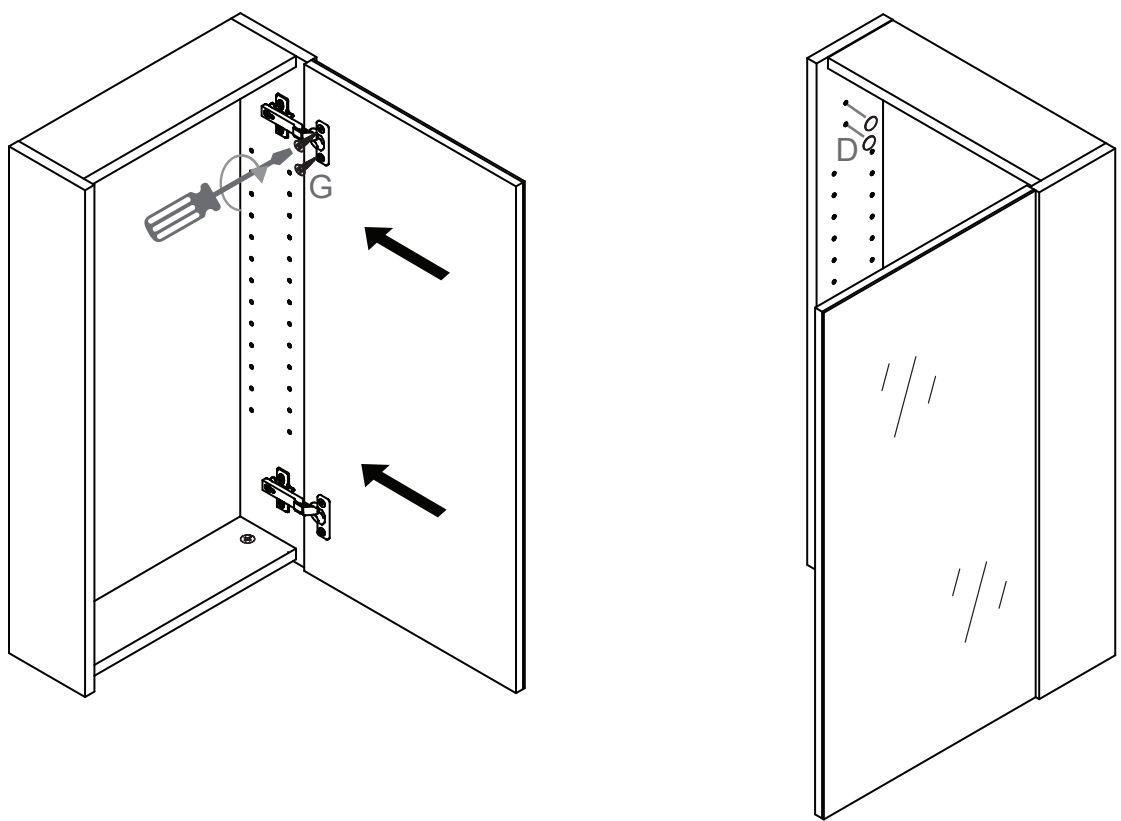
- |  |                |   |                |
|--|----------------|---|----------------|
|  | <b>G</b><br>x4 |  | <b>A</b><br>x2 |
|--|----------------|---|----------------|



10

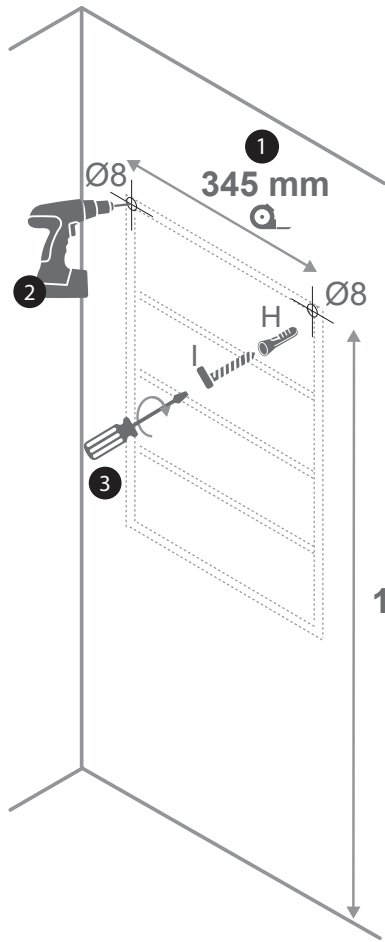


11



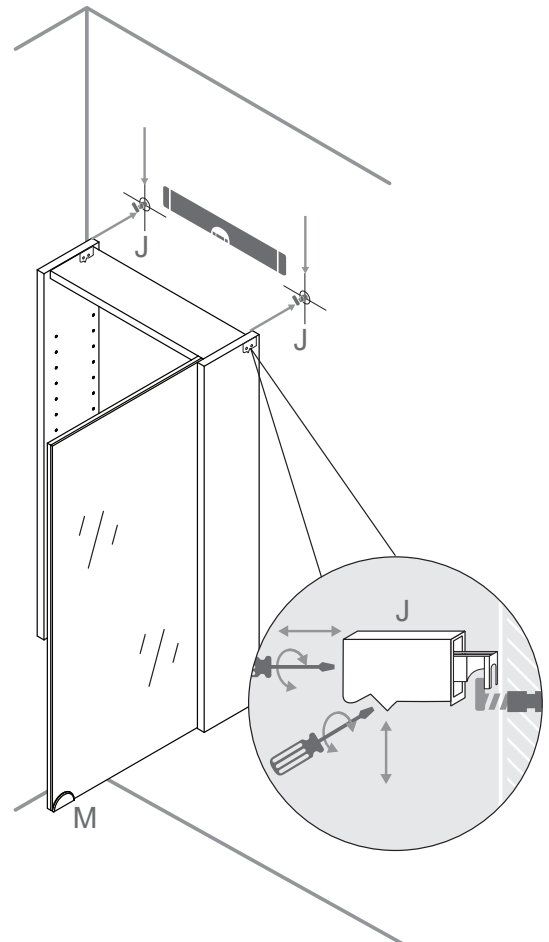


12



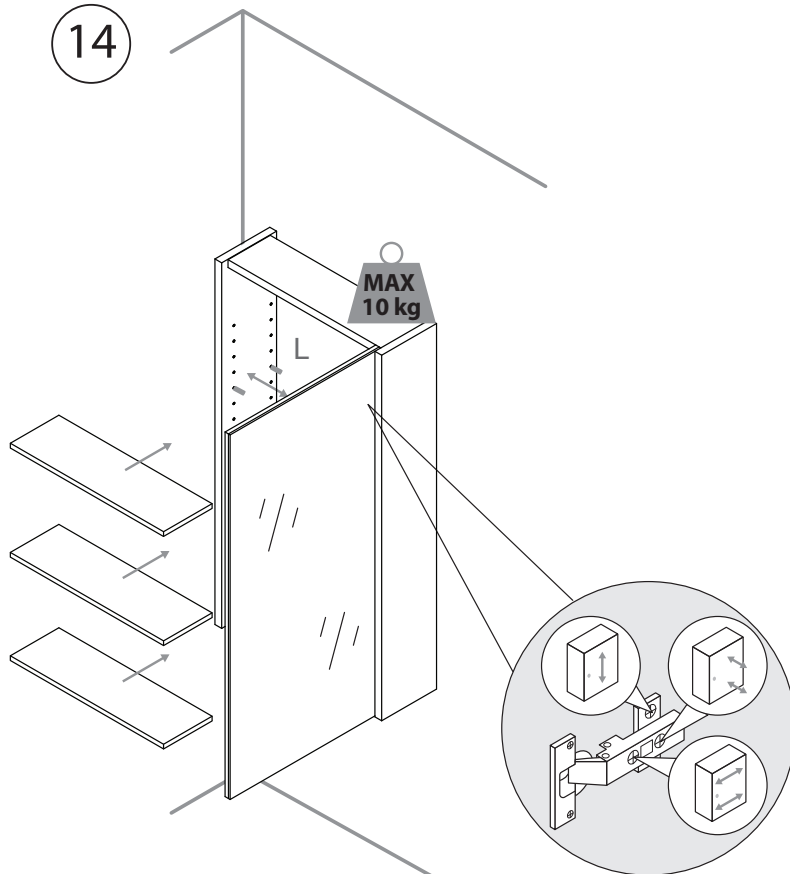
	H x2		I x2
--	---------	--	---------

13



	J x2		M x1
--	---------	--	---------

14



	L x12
--	----------