

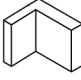
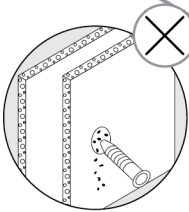
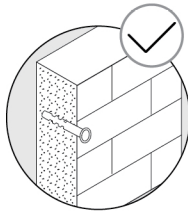
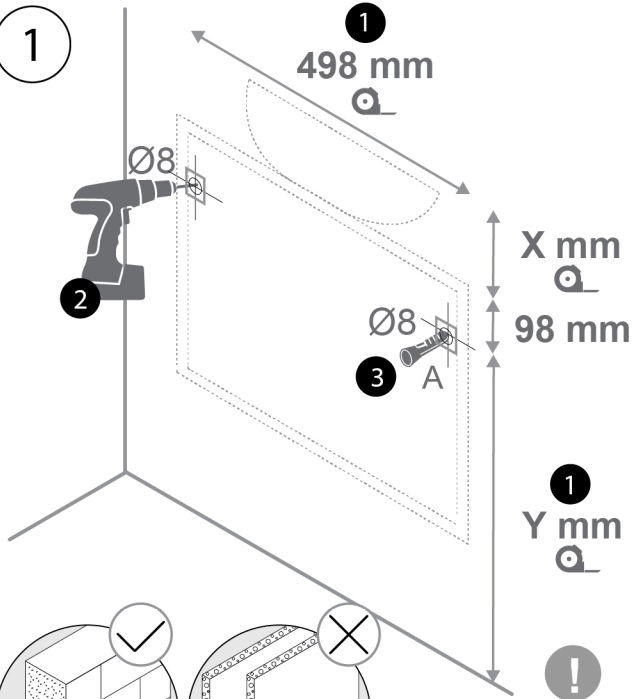


A		8x40 mm	x 2
B		5x50 mm	x 2
C		50x45x35 mm	x 2



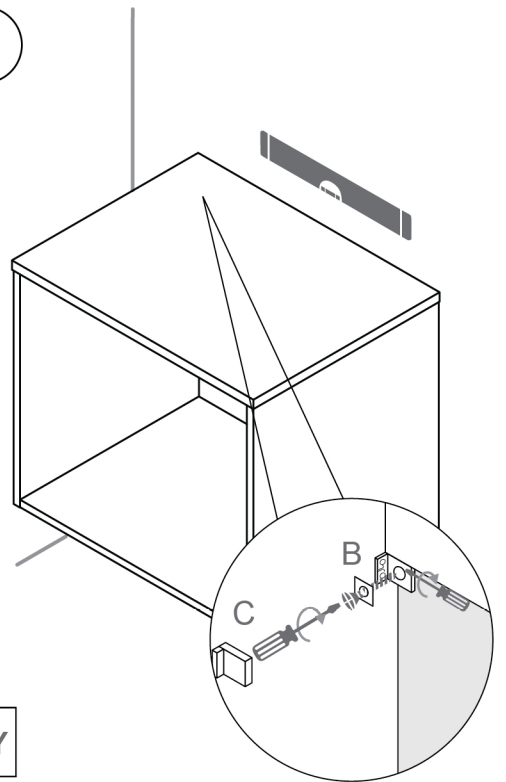
1



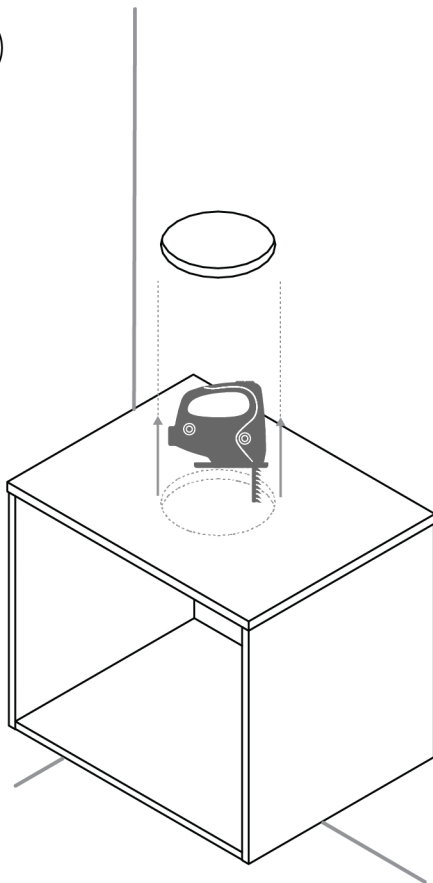
$$850 \text{ mm} - (X + 98 \text{ mm}) = Y$$



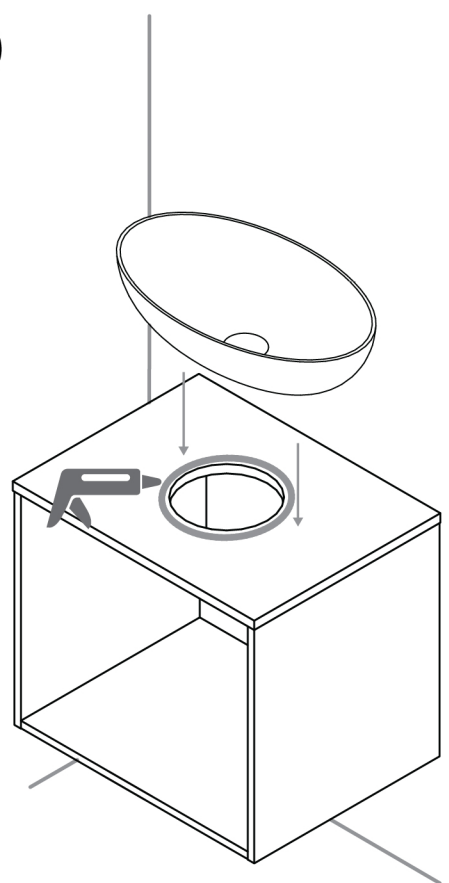
2



3

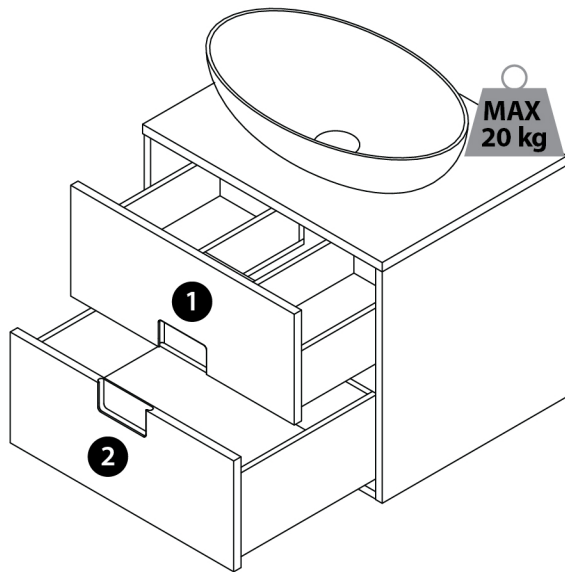


4

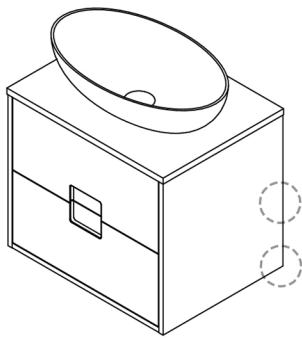




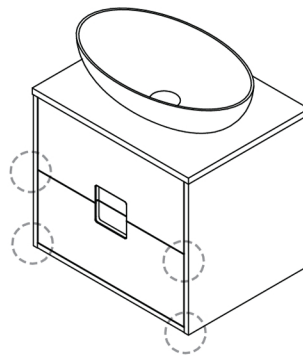
5



5.1



5.2



5.3

