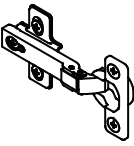








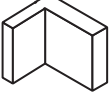
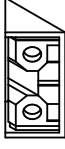


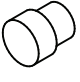
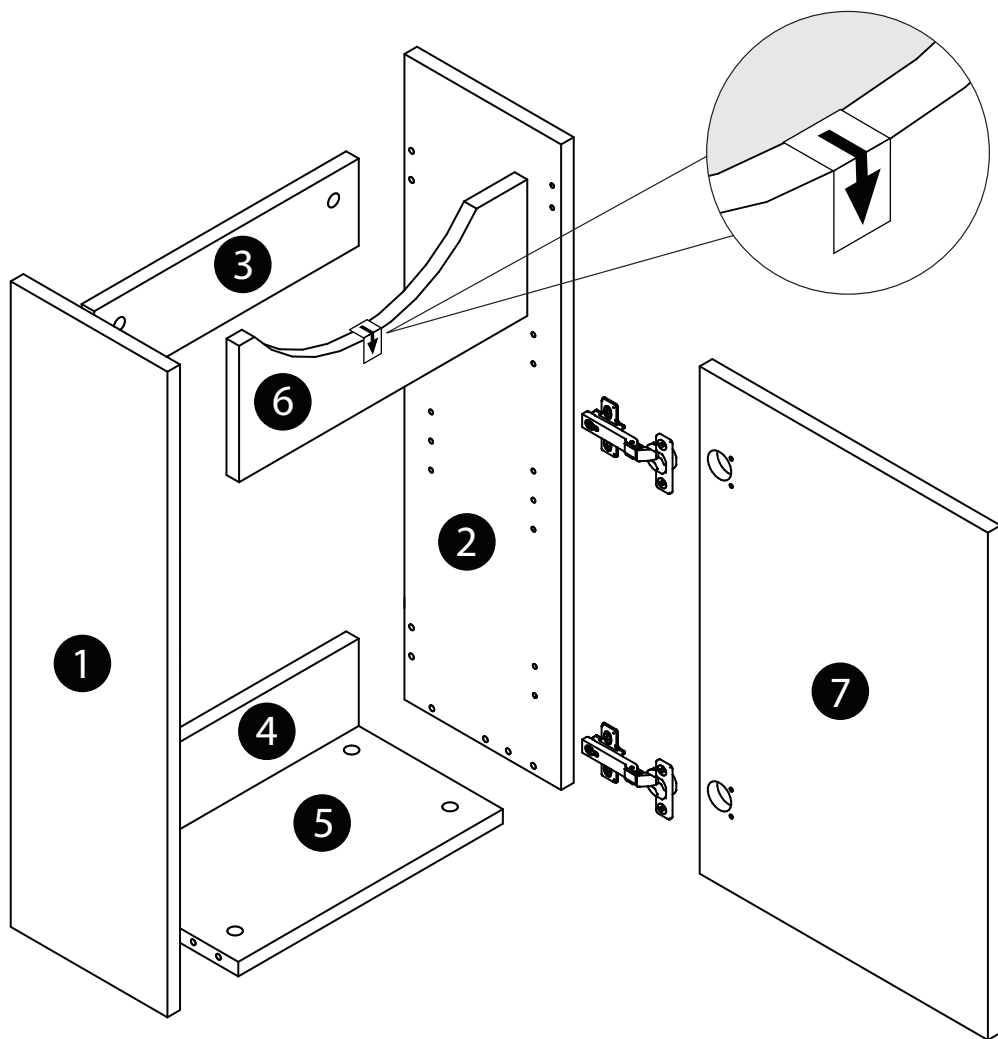
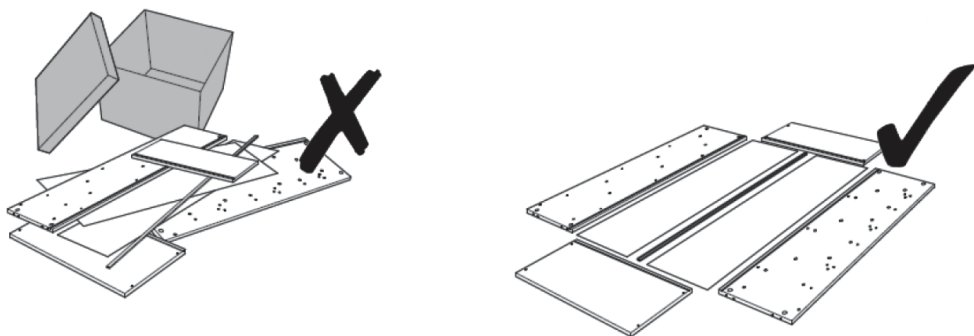




A \varnothing 26 mm  x 2	B \varnothing 15x12.5 mm  x 6	C \varnothing 7.5x44 mm  x 6	D \varnothing 20x0.5 mm  x 11
E 15 ml.  x 1	F \varnothing 8x30 mm  x 10	G \varnothing 3.5x16 mm  x 16	H \varnothing 8x40 mm  x 2
I \varnothing 5x50 mm  x 2	J 50x45x35 mm  x 2	K 43x20x20 mm  x 2	L \varnothing 5x10 mm  x 4
M \varnothing 4x22 mm  x 1	N \varnothing 20x22 mm  x 1		

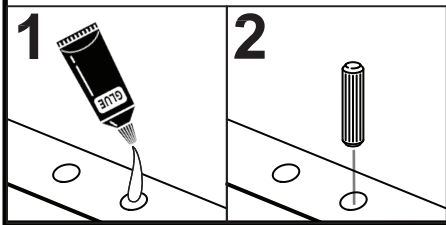
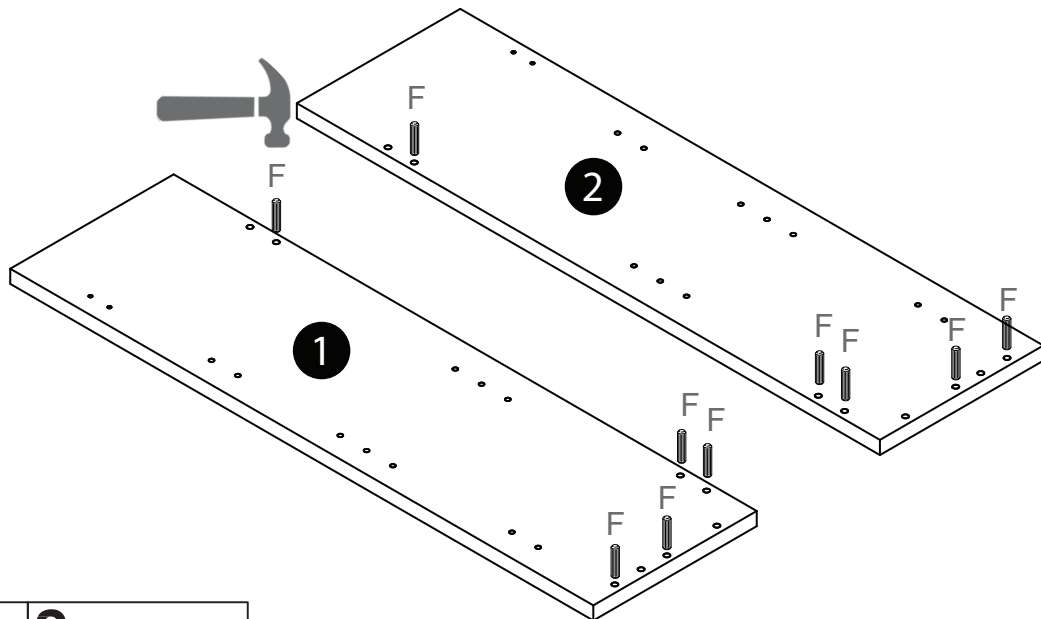


1



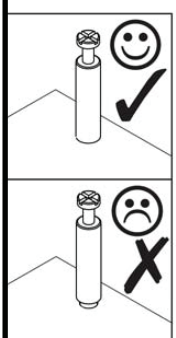
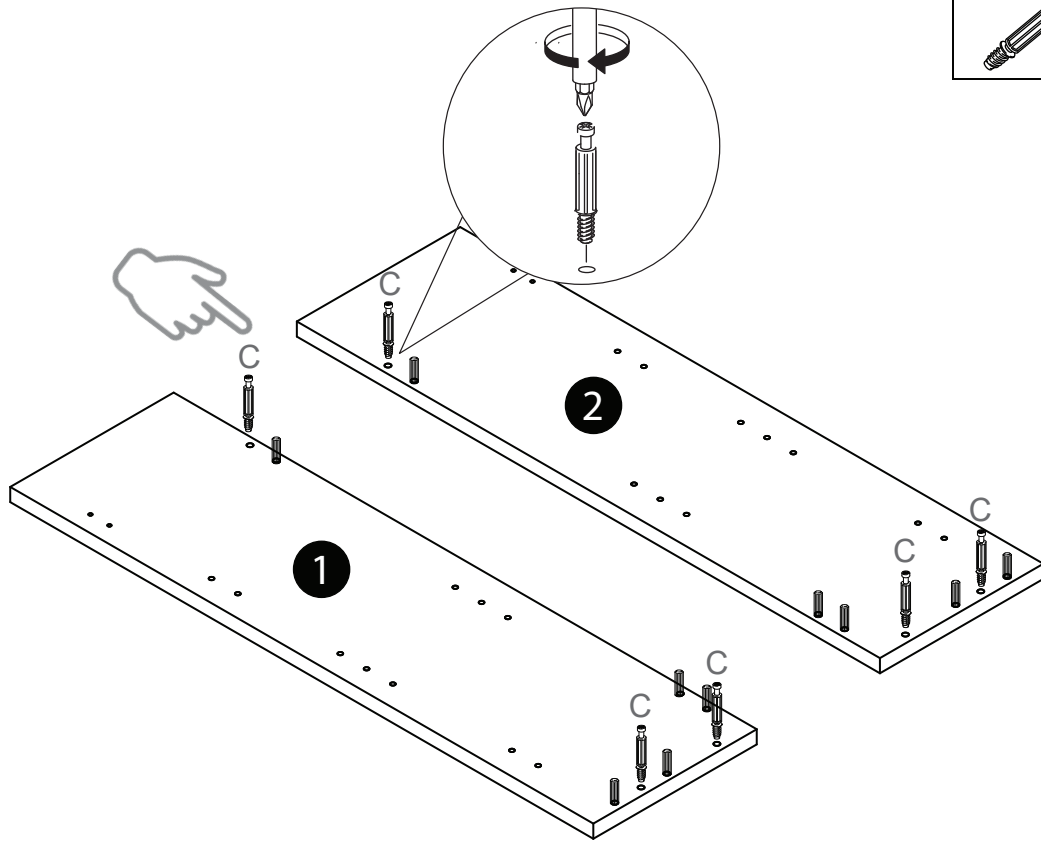
2

	E 15 ml.
	F x10



3

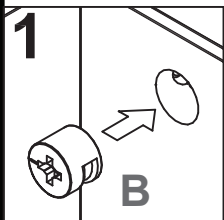
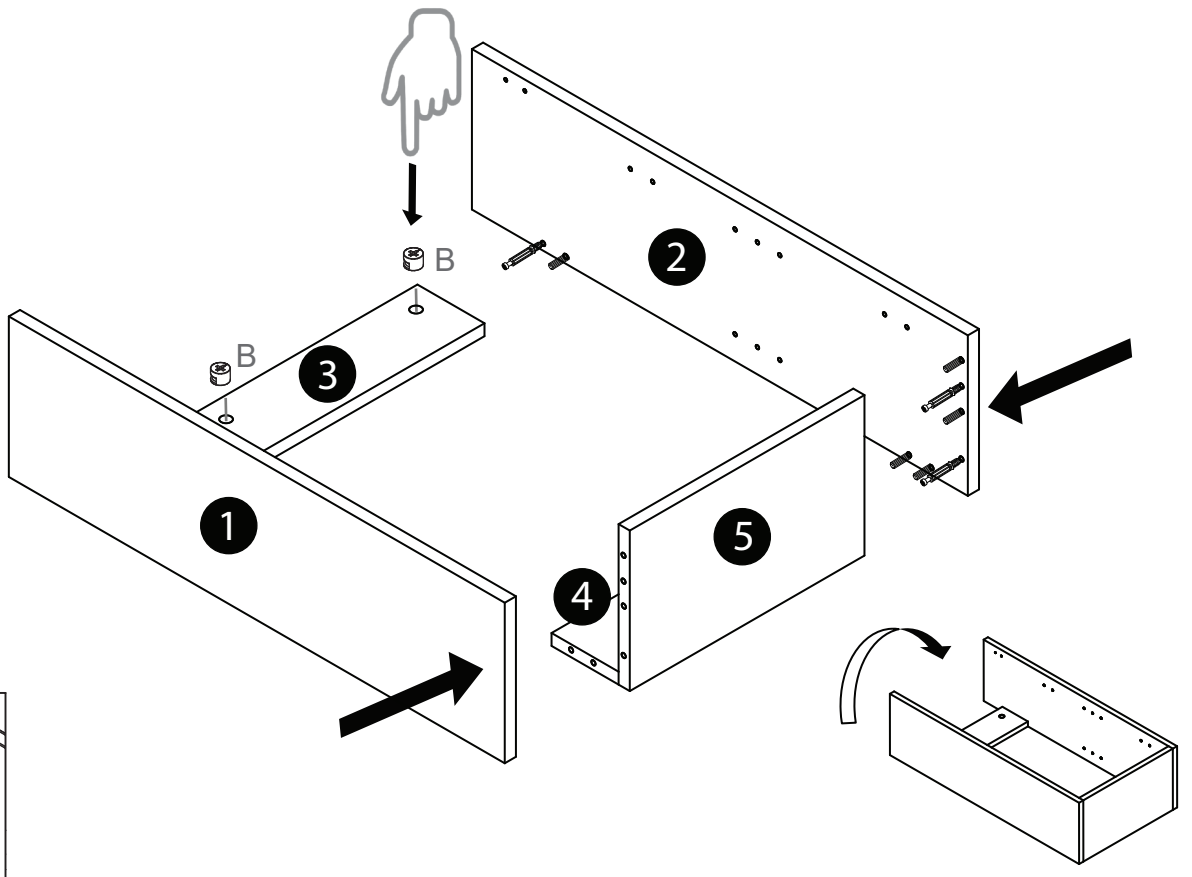
	C x6
---------------------------------------------------------------------------------------	----------------



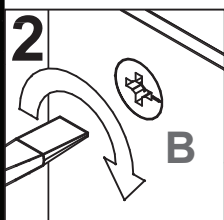
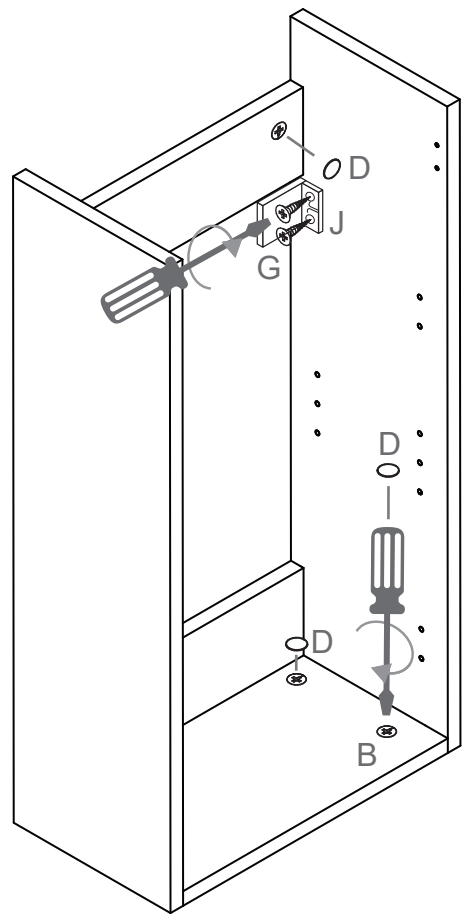
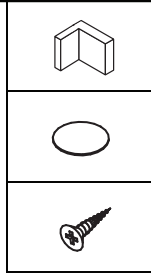
4



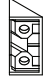

B
x6

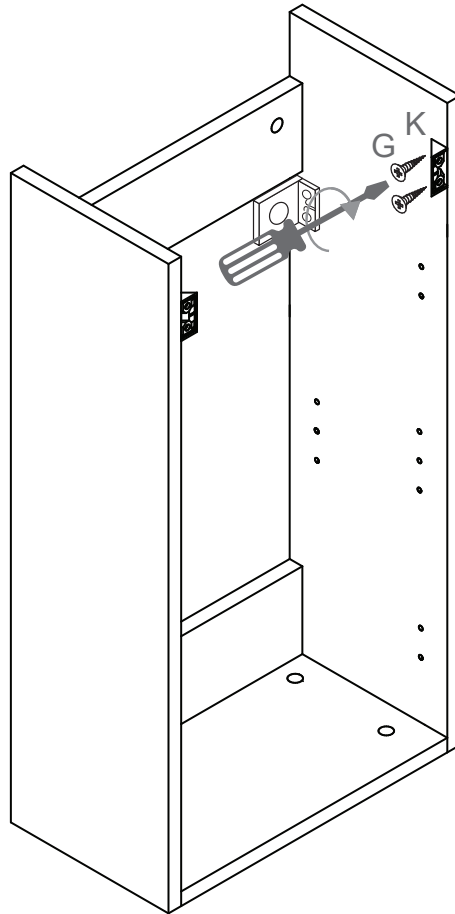


5



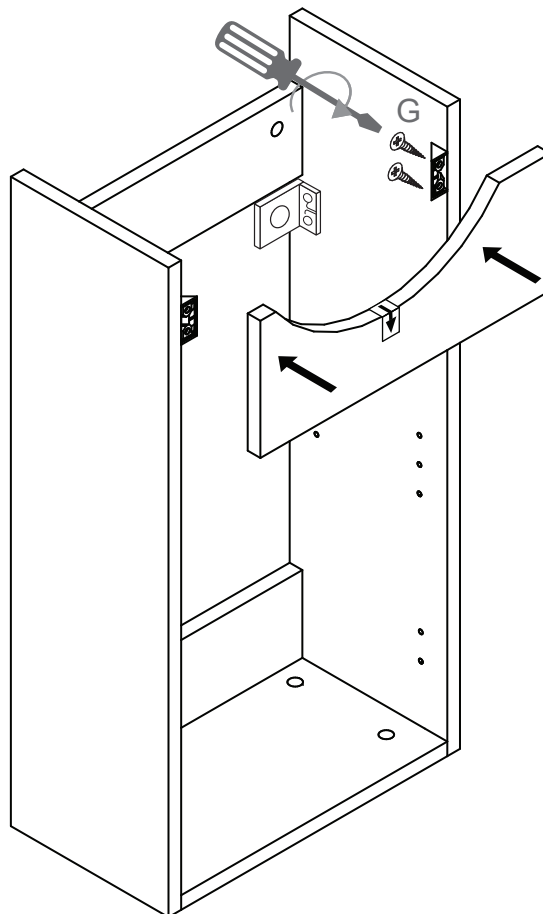
6

	K x2
	G x4





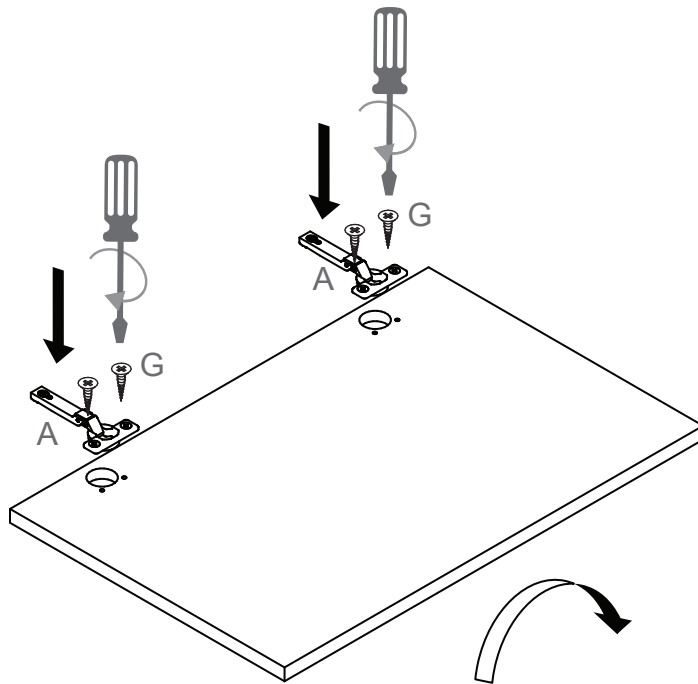
7

	G x4
---------------------------------------------------------------------------------------	----------------

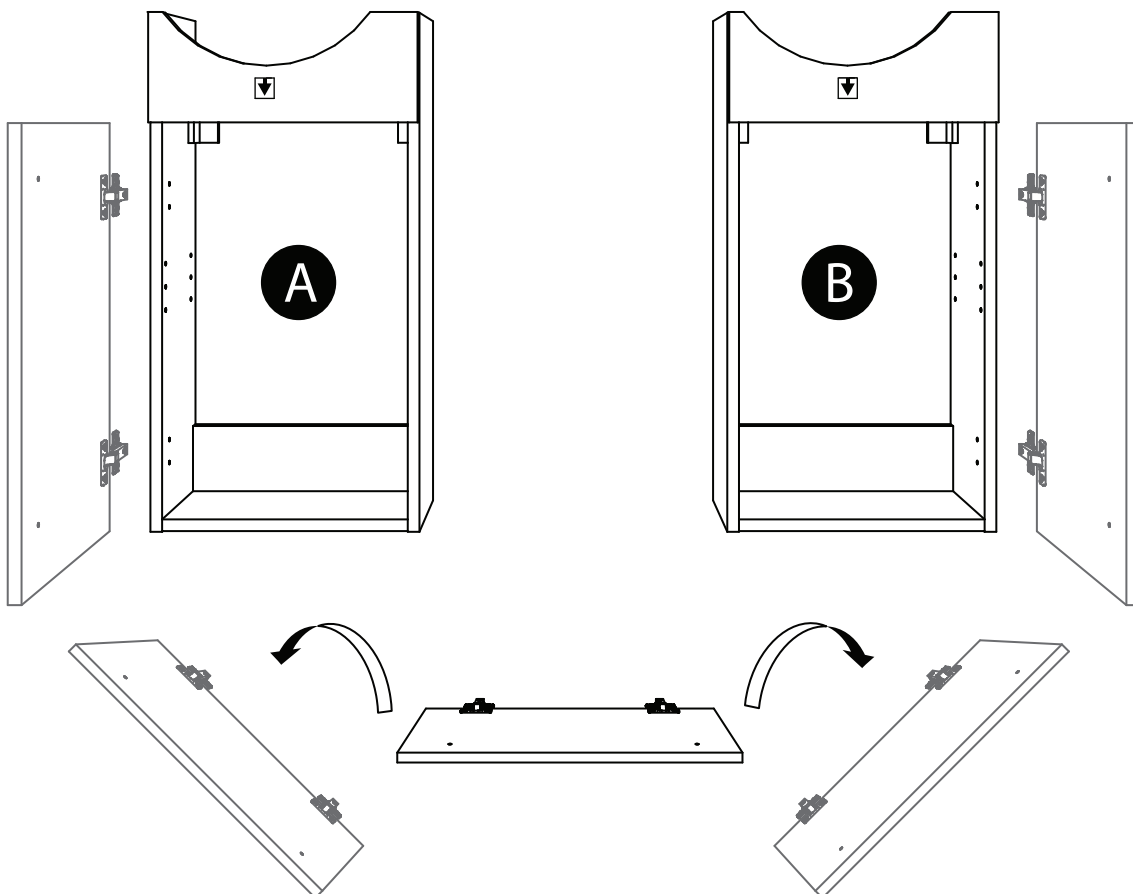


8

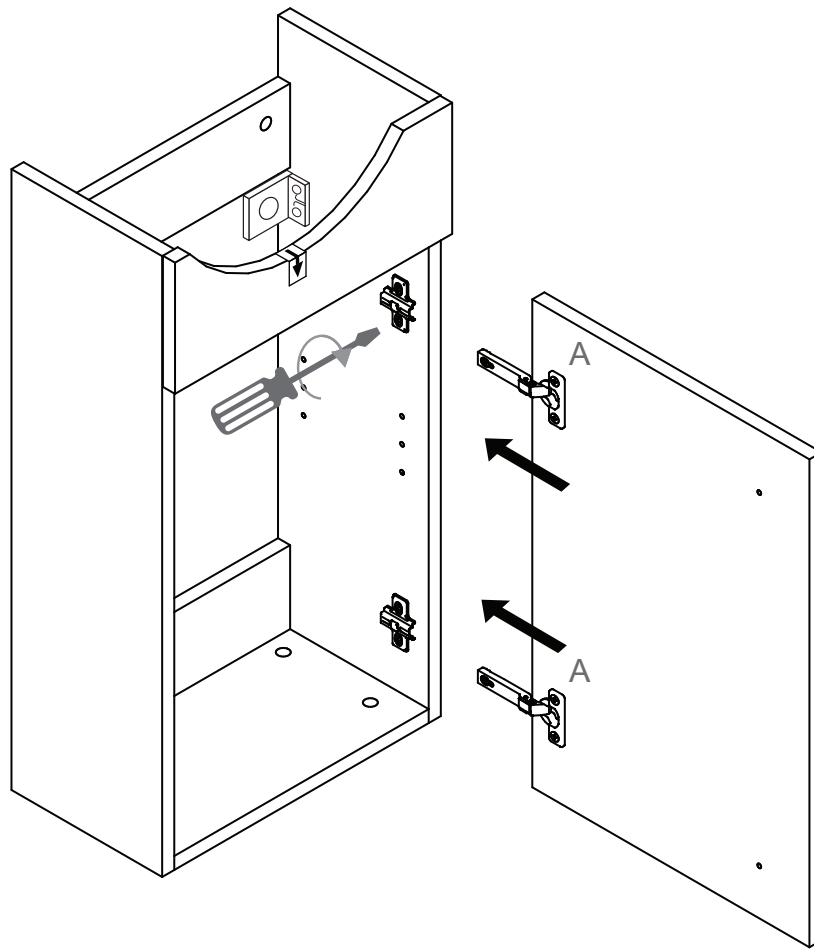
	A x2
	G x4



9



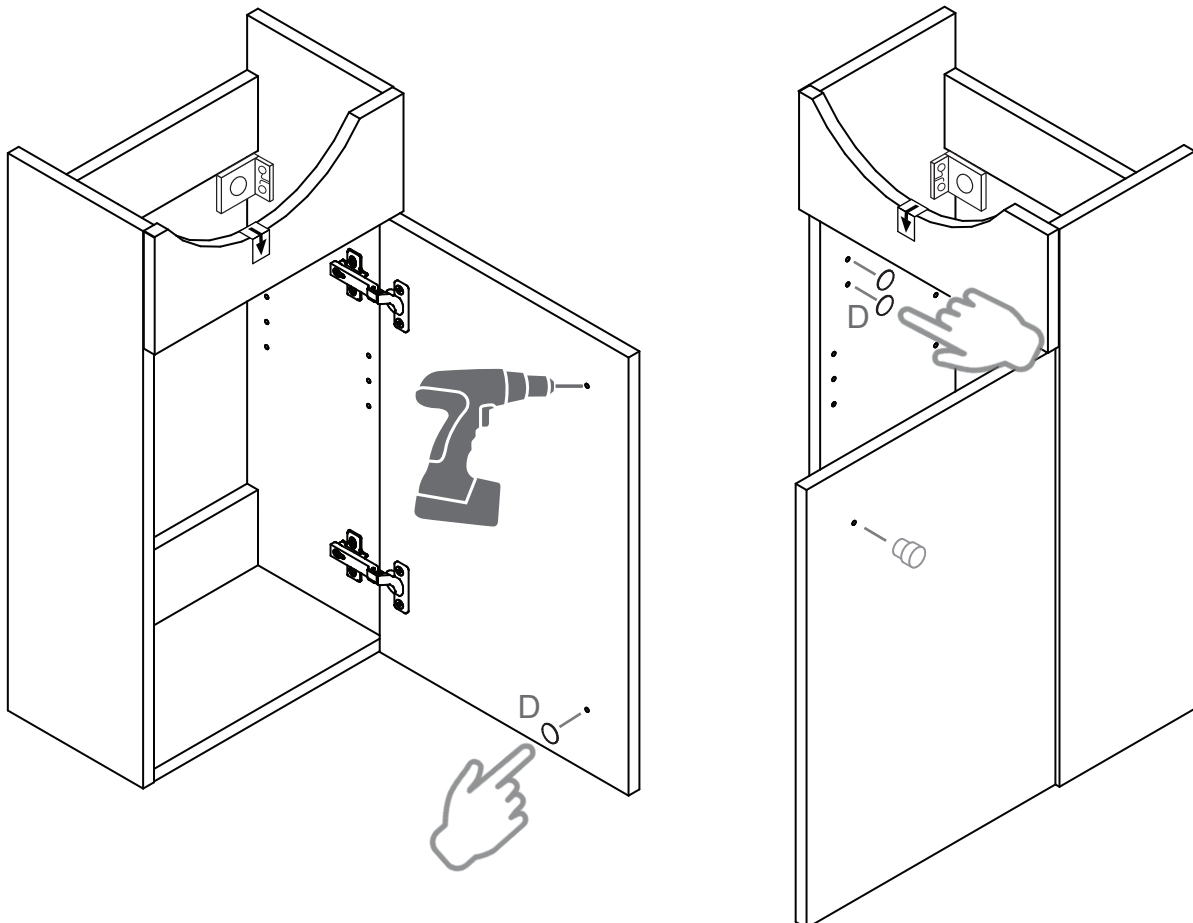
10



11

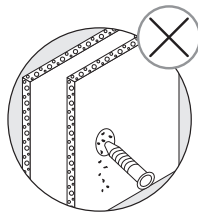
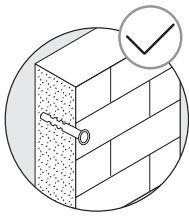
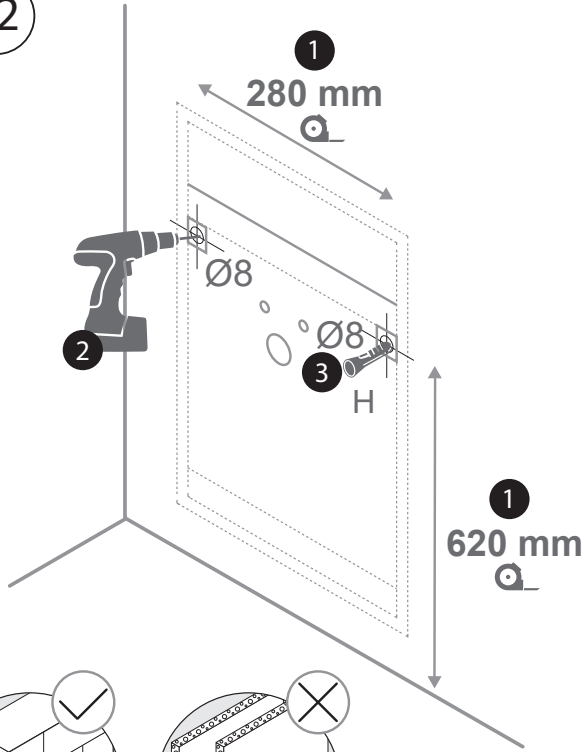


D
x5



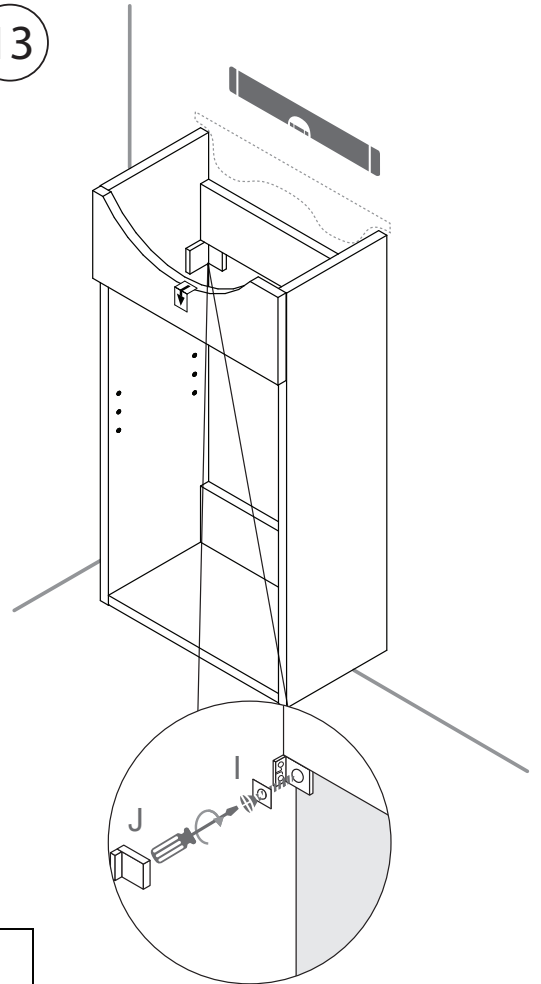


12

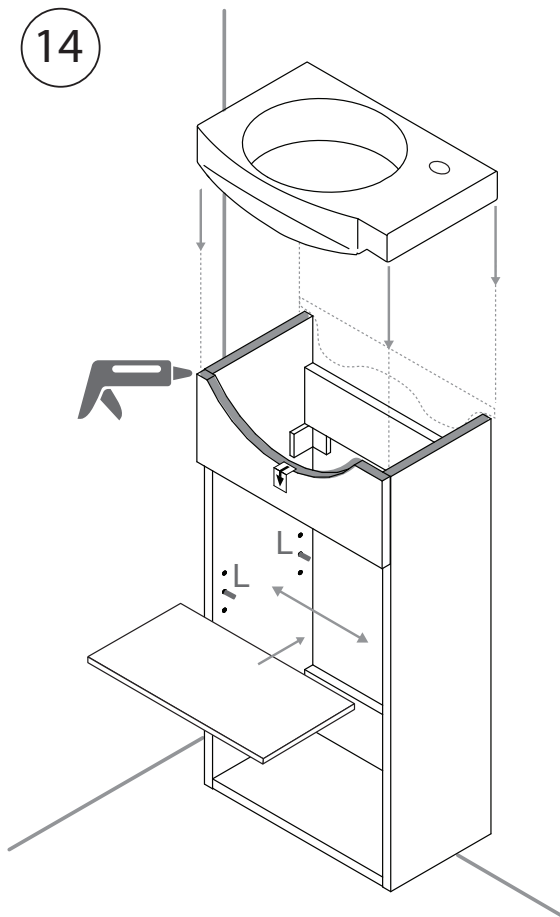


	H x2		I x2		J x2
--	---------	--	---------	--	---------

13



14



	L x4		M x1		N x1
--	---------	--	---------	--	---------

15

