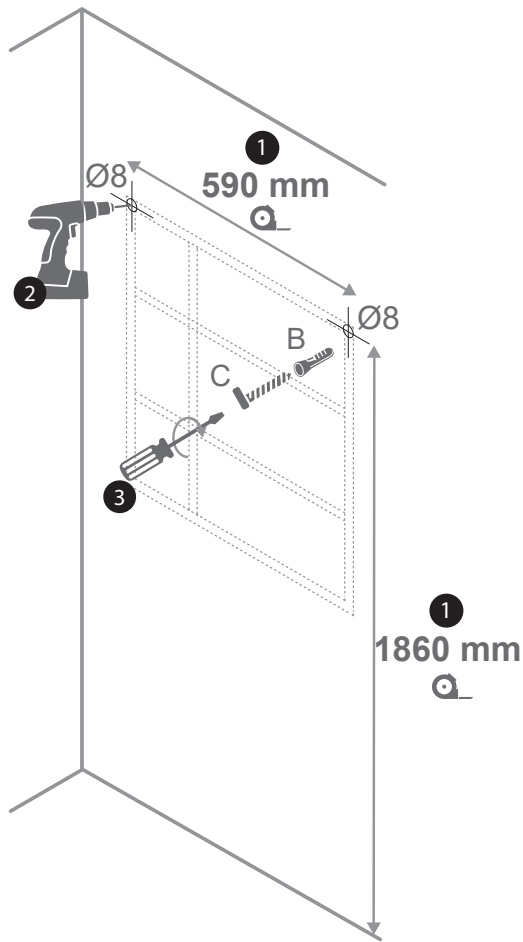


A		45x20x3 mm	x2
B		8x40 mm	x2
C		5,5x50 mm	x2
D		85x40x25 mm	x2
E		5x10 mm	x16

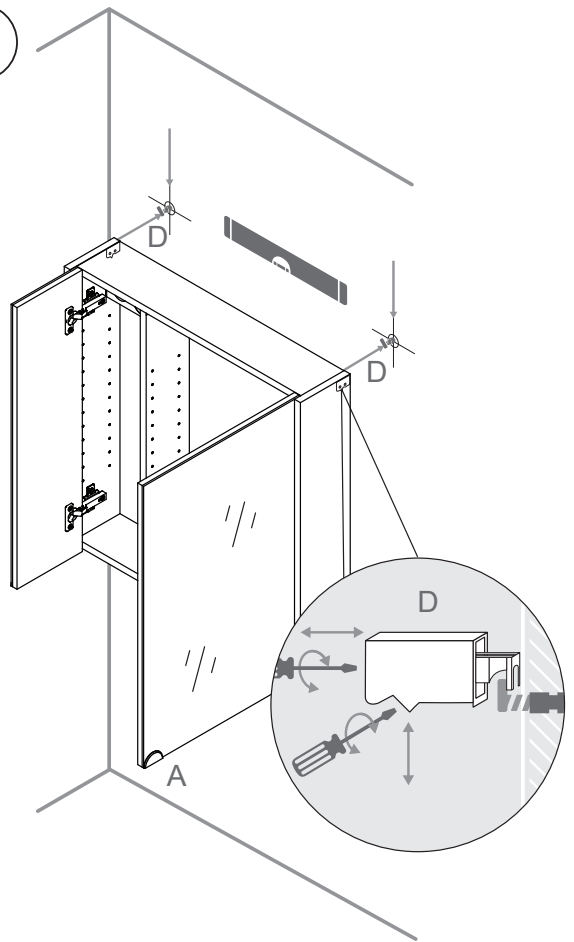


1



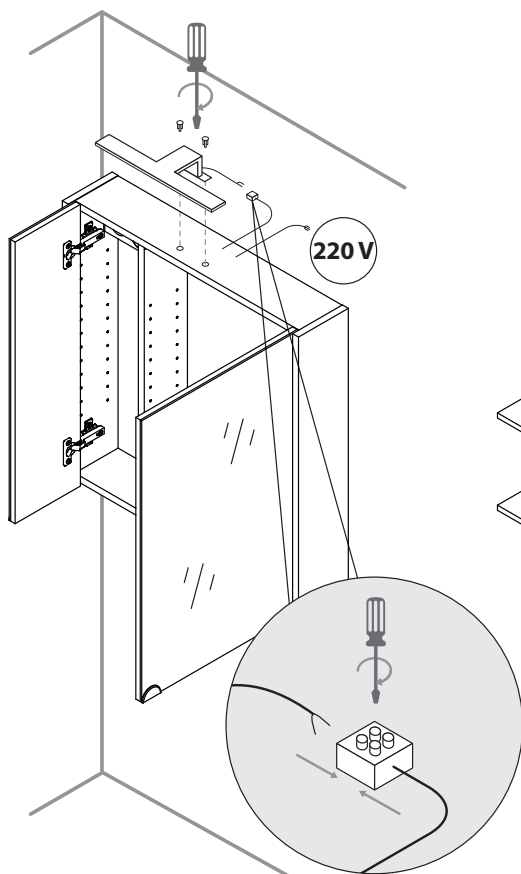
	B x2		C x2
--	---------	--	---------

2

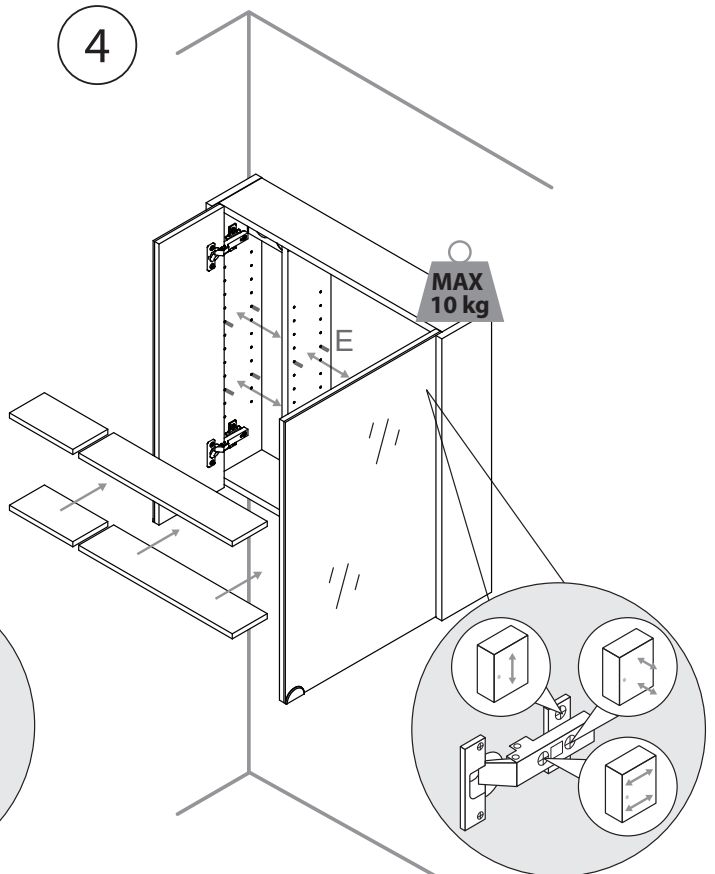


	A x2		D x2
--	---------	--	---------

3



4



	E x16
--	----------