


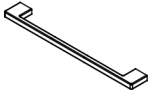


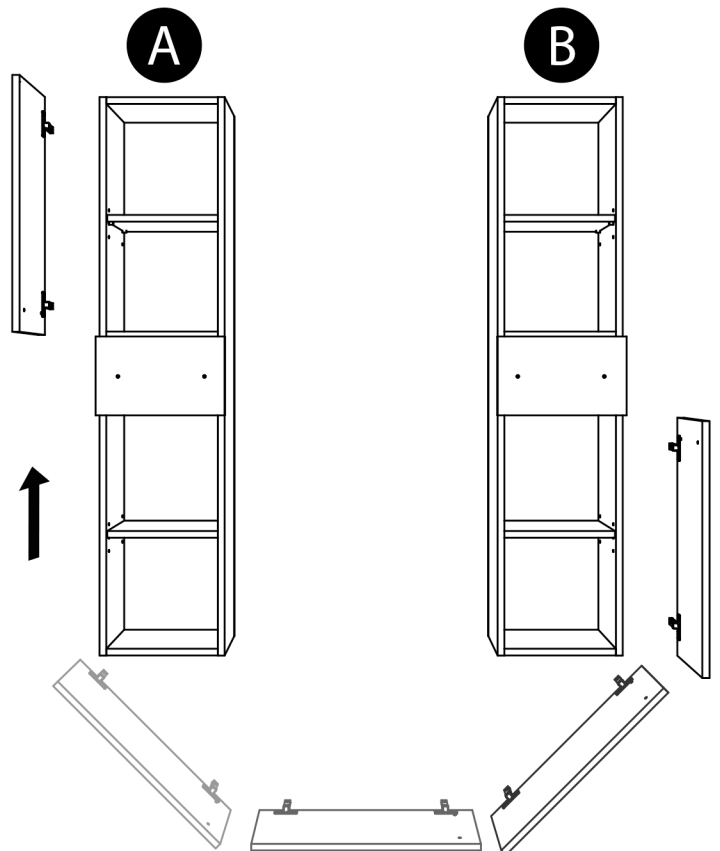
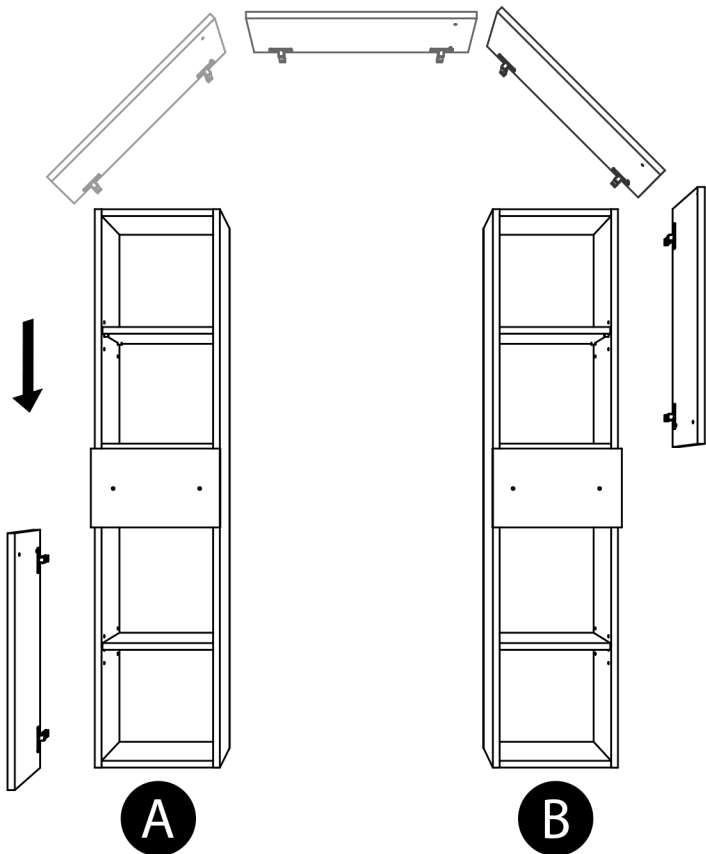
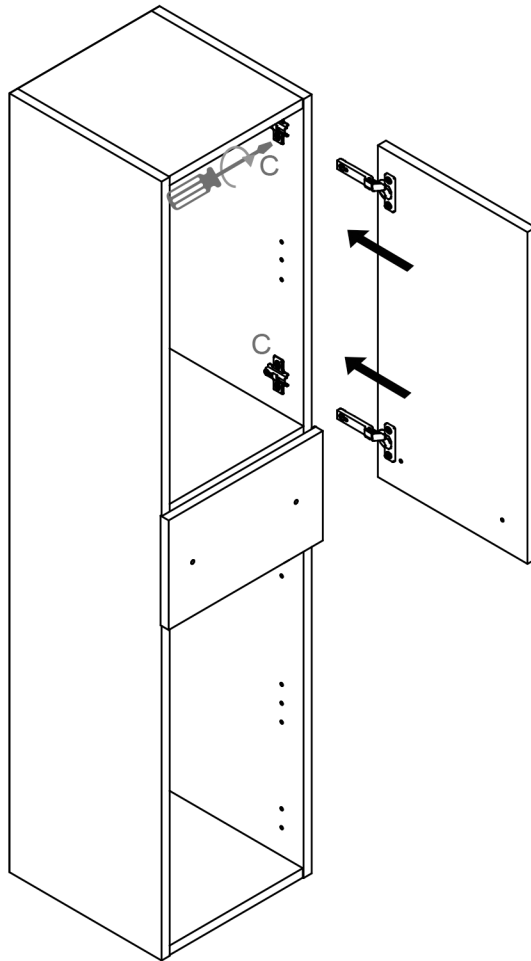



<b>A</b> 8x40 mm  x 2	<b>B</b> 5.5x50 mm  x 2
<b>C</b> 38x50x25 mm  x 4	<b>D</b> 192 mm  x 3
<b>E</b> 4x22 mm  x 6	<b>F</b> 5x10 mm  x 8

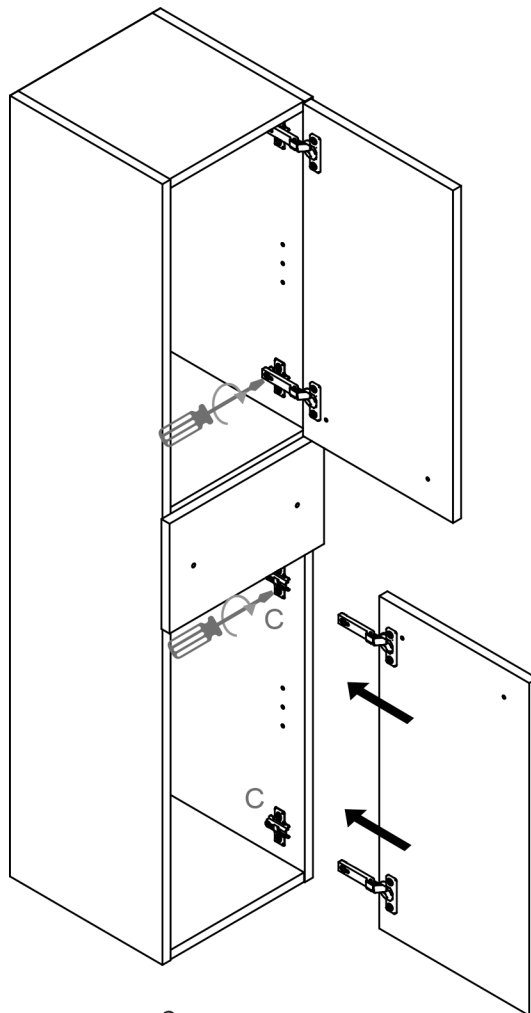



1

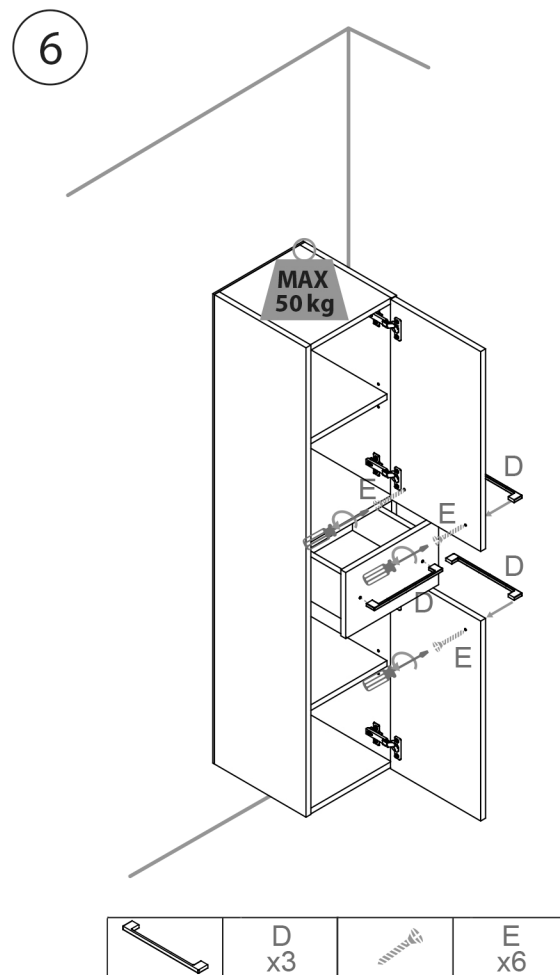
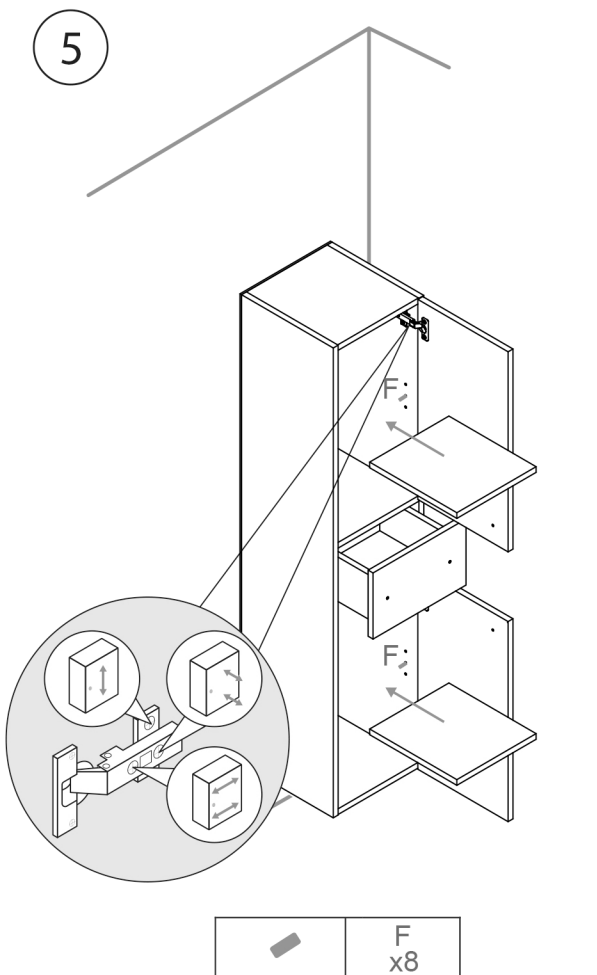
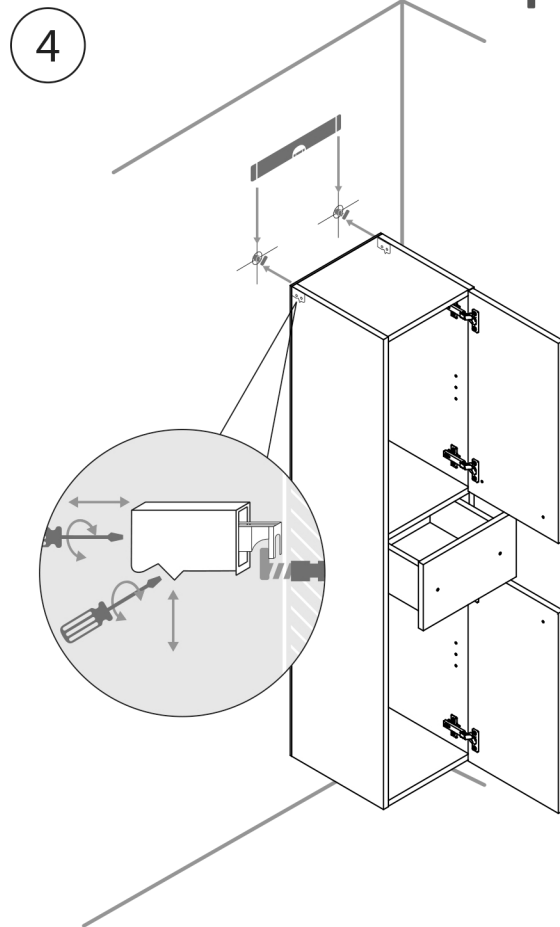
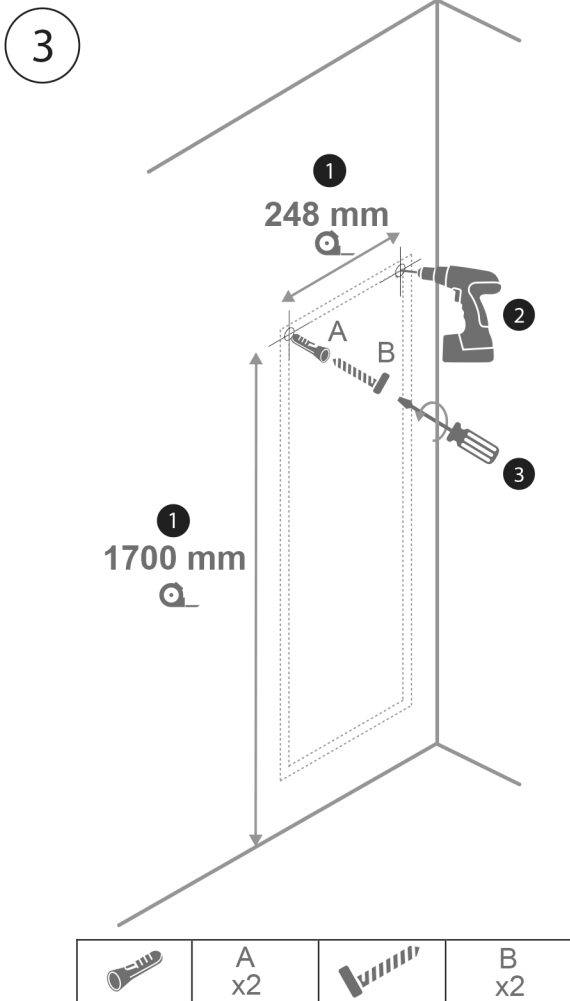


	C x2
---	---------

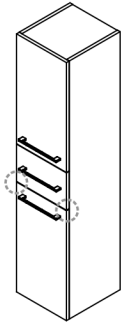
2



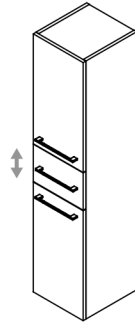
	C x2
---	---------



7.1



7.2



7.3

