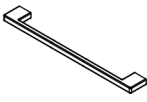




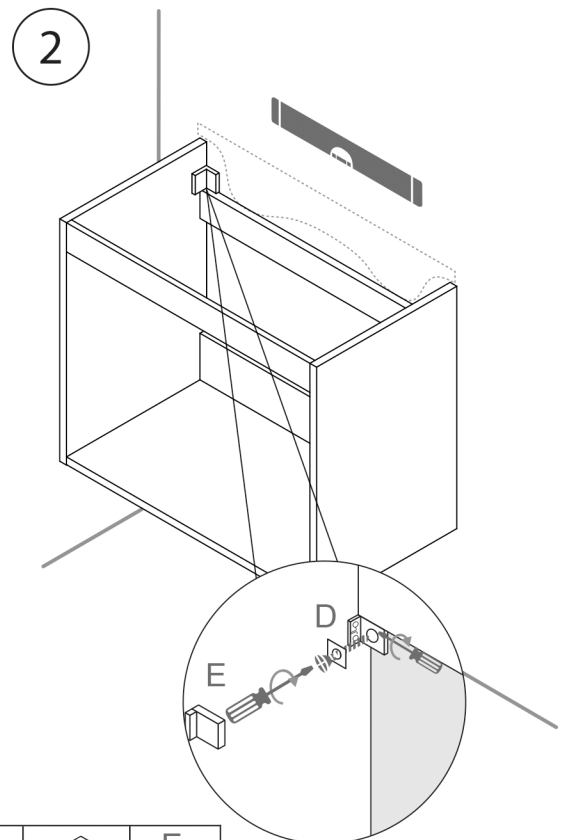
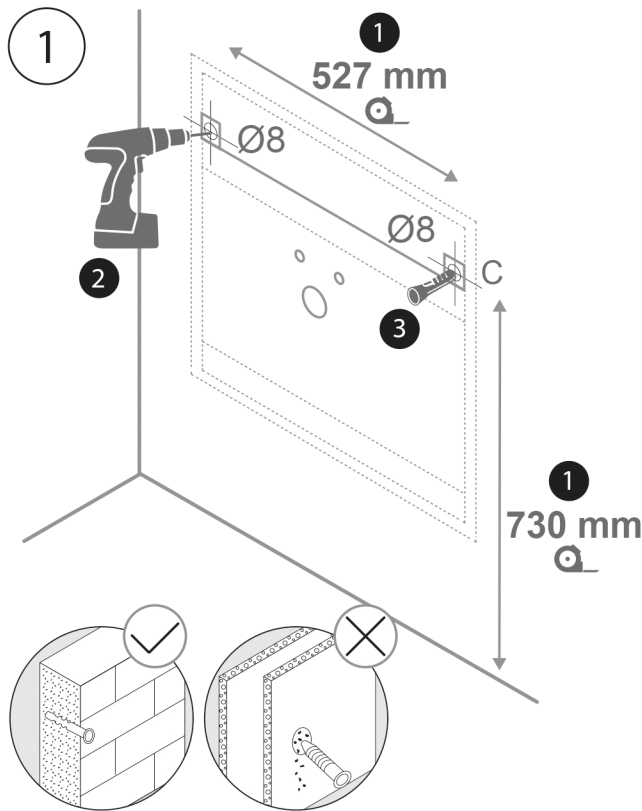
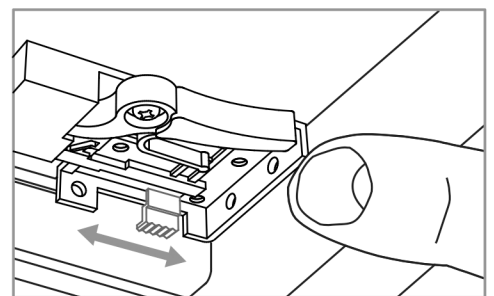
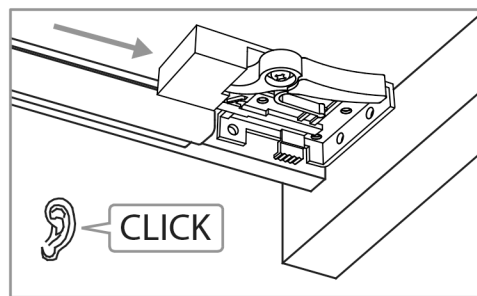
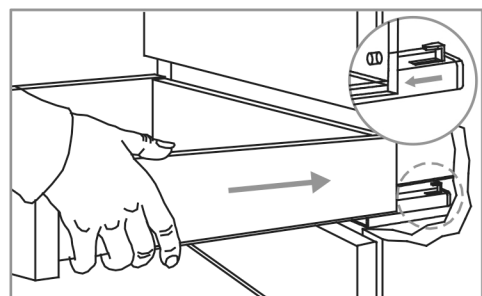
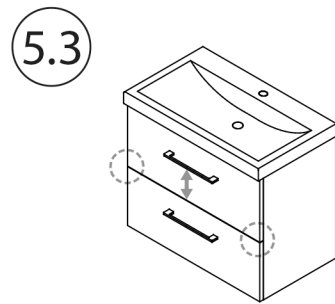
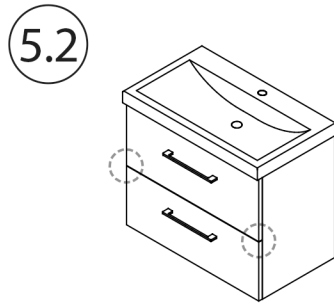
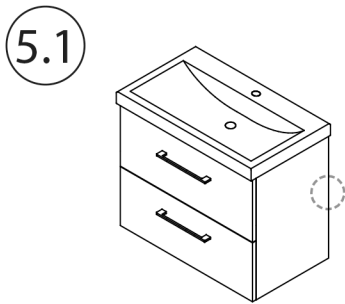
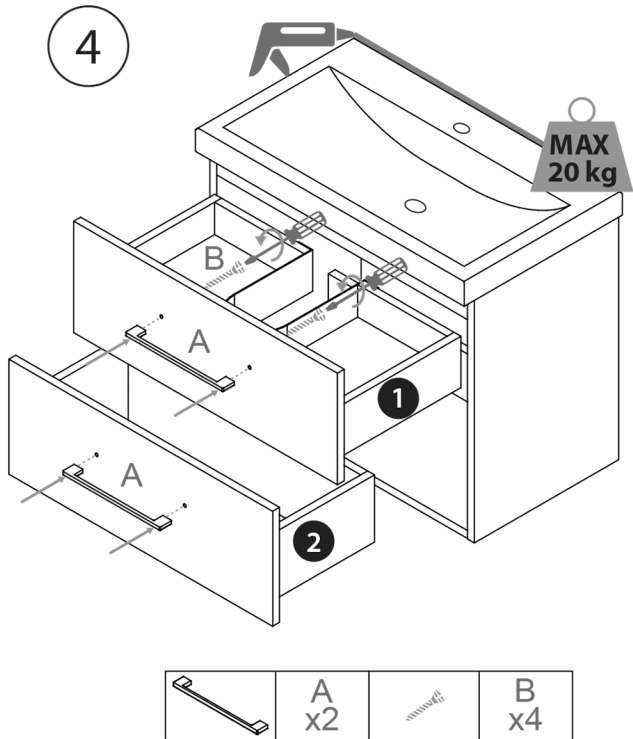
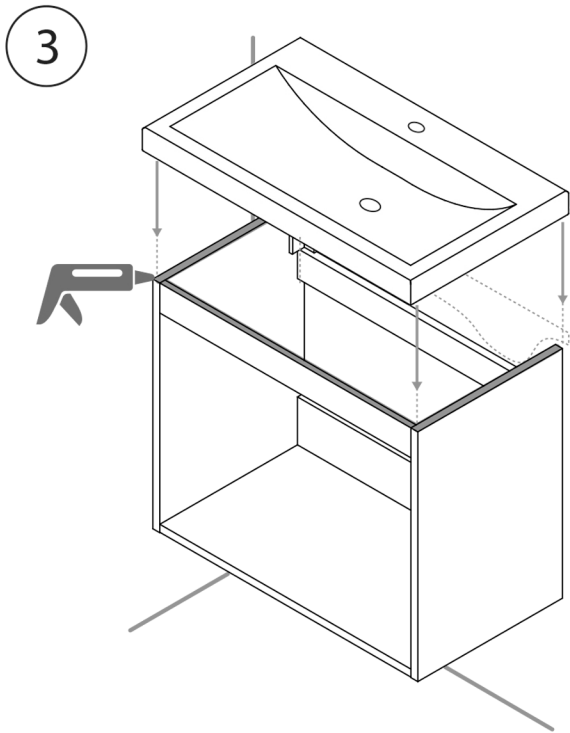


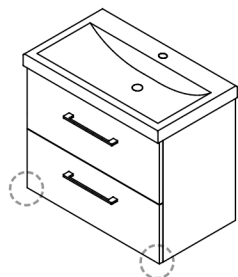
A  192 mm x 2	B  4x22 mm x 4
C  8x40 mm x 2	D  5x50 mm x 2
E  50x45x35 mm x 2	



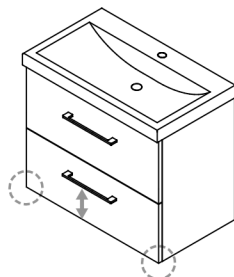
	C x2		D x2		E x2
---	---------	---	---------	--	---------



6.1



6.2



6.3

