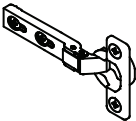








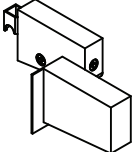
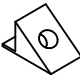



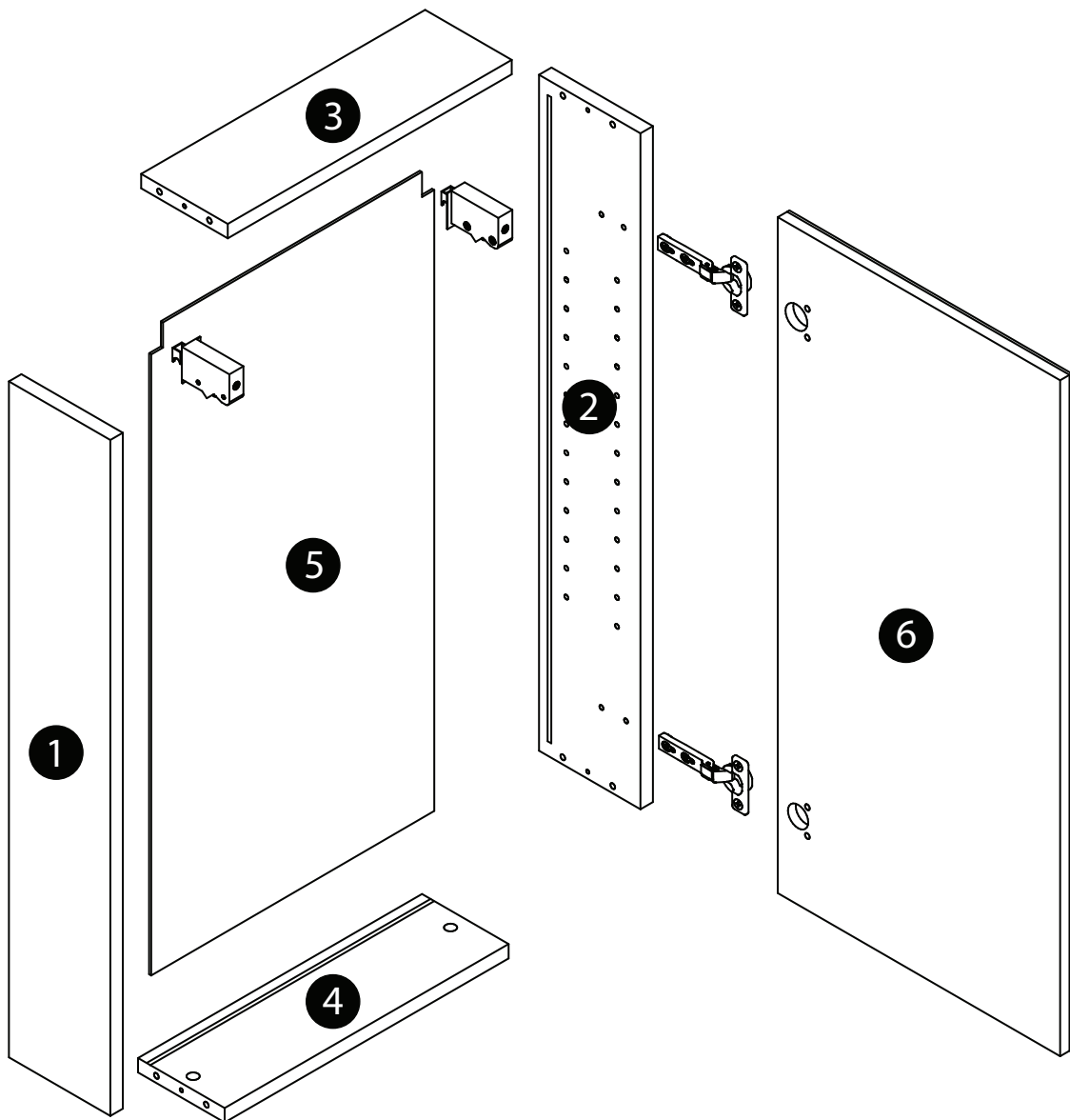
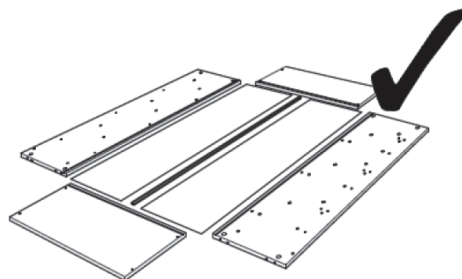
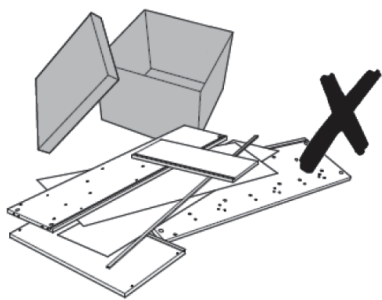


<b>A</b> $\varnothing$ 35 mm  x 2	<b>B</b> $\varnothing$ 15x12.5 mm  x 4	<b>C</b> $\varnothing$ 7.5x44 mm  x 4	<b>D</b> 20x0.5 mm  x 8
<b>E</b> 15 ml.  x 1	<b>F</b> $\varnothing$ 8x30 mm  x 8	<b>G</b> $\varnothing$ 3.5x16 mm  x 4	<b>H</b> $\varnothing$ 8x40 mm  x 2
<b>I</b> 5,5x50 mm  x 2	<b>J</b> 85x40x25 mm  x 2	<b>K</b> 14x14x12 mm  x 4	<b>L</b> $\varnothing$ 25x12x10 mm  x 12
<b>M</b> $\varnothing$ 3.5x25 mm  x 4	<b>N</b> $\varnothing$ 3.5x12 mm  x 4		



1



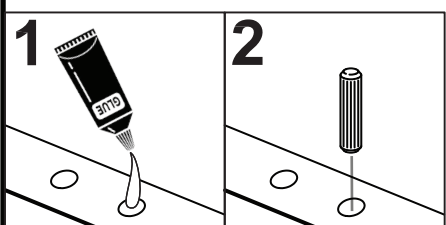
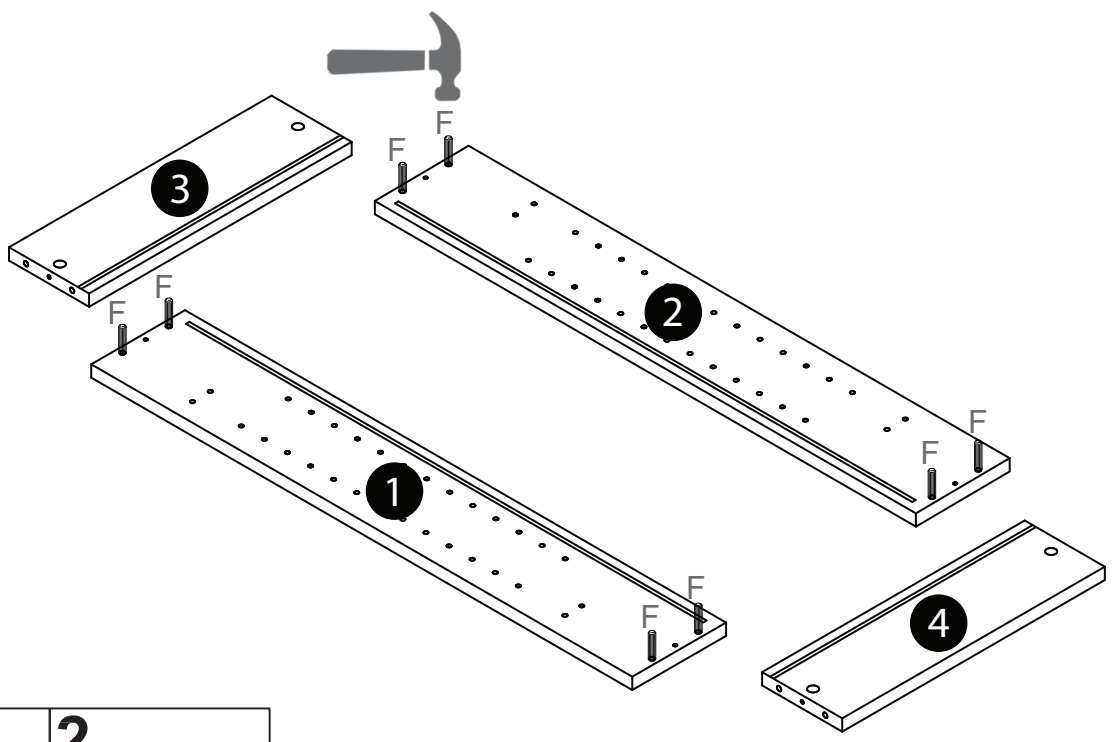
2



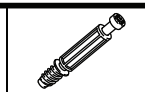
F  
x8



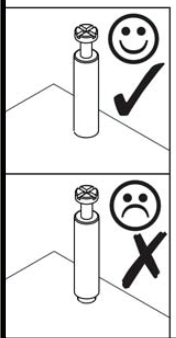
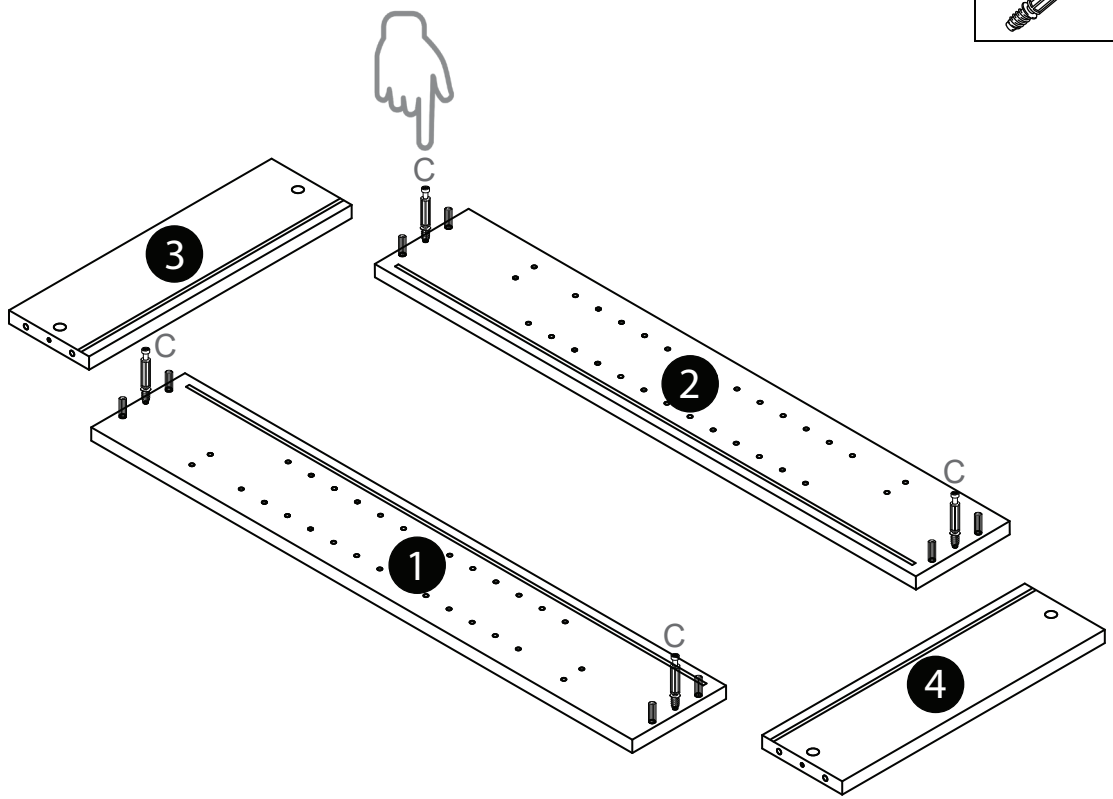
E  
15 ml.



3



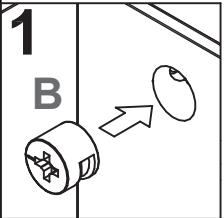
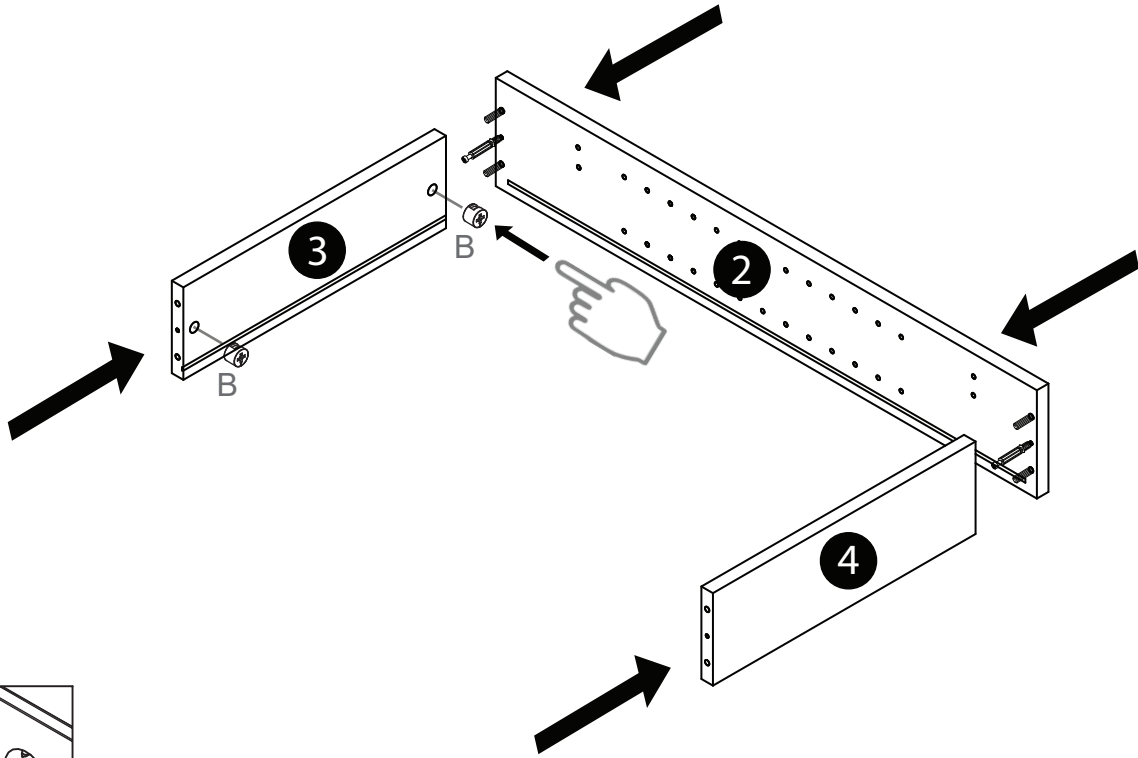
C  
x4



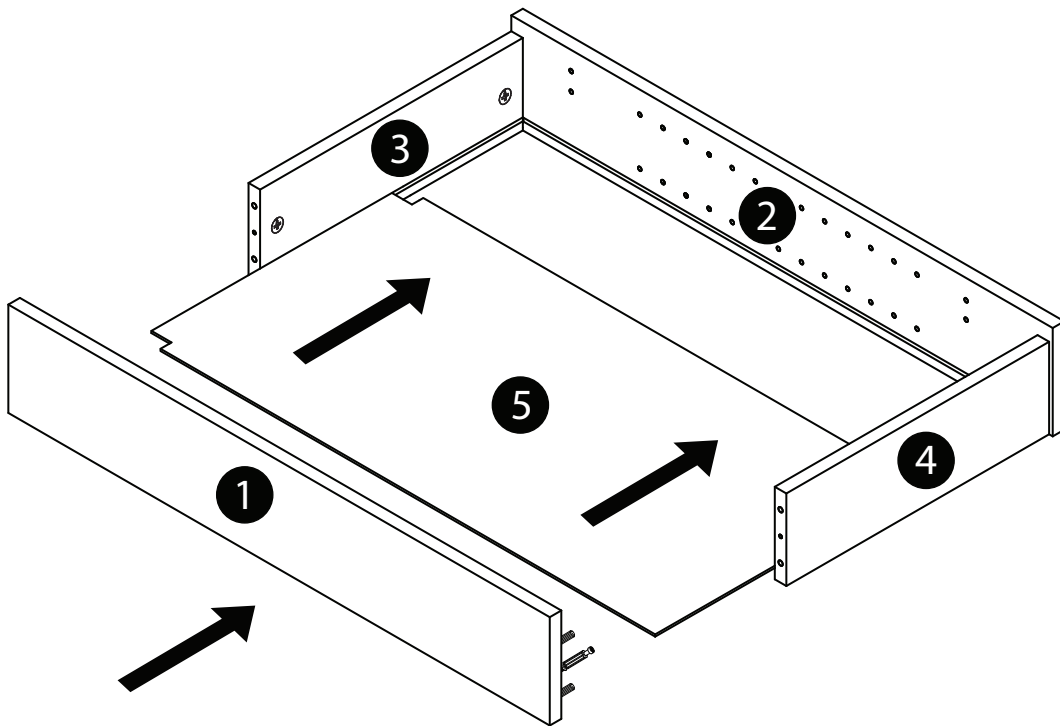
4



B  
x4

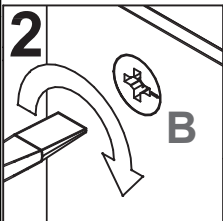
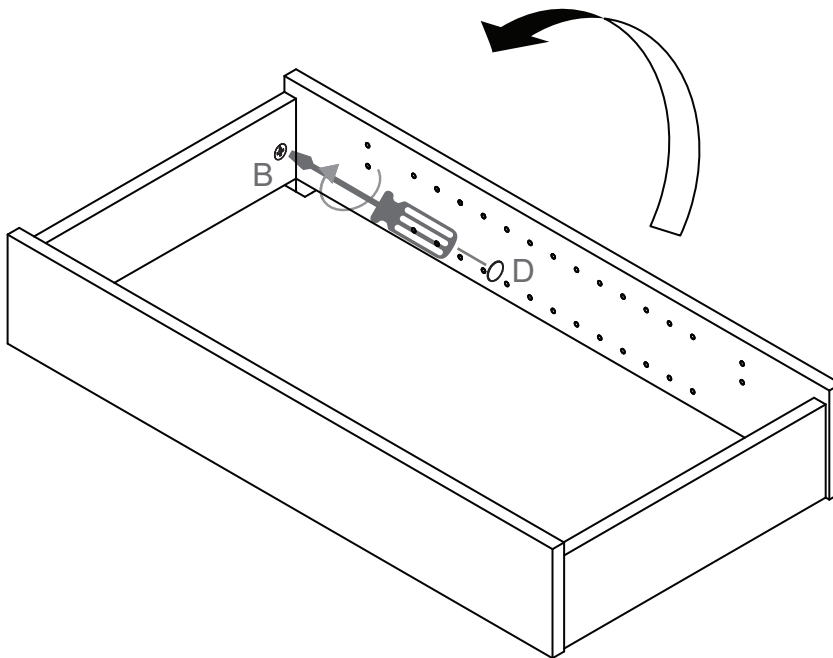


5

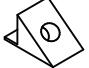


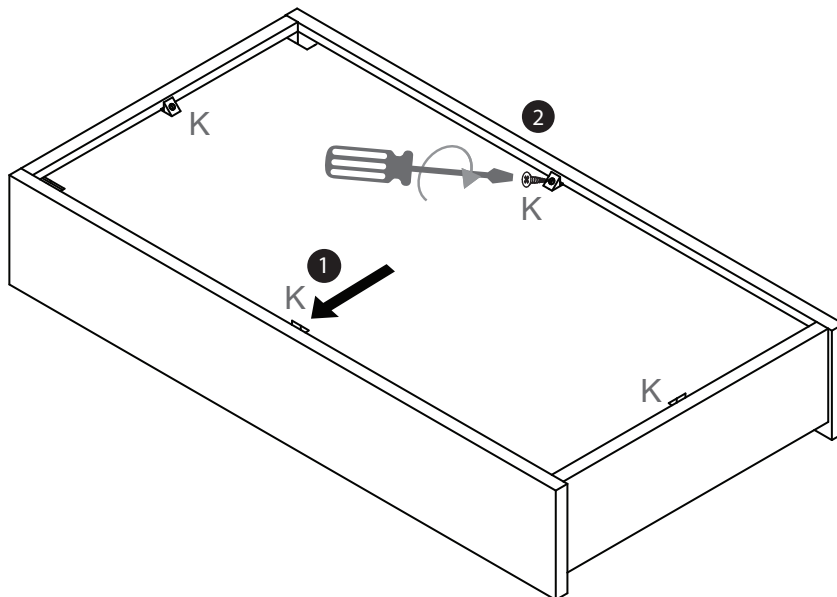
6

 **D**  
x4


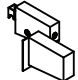


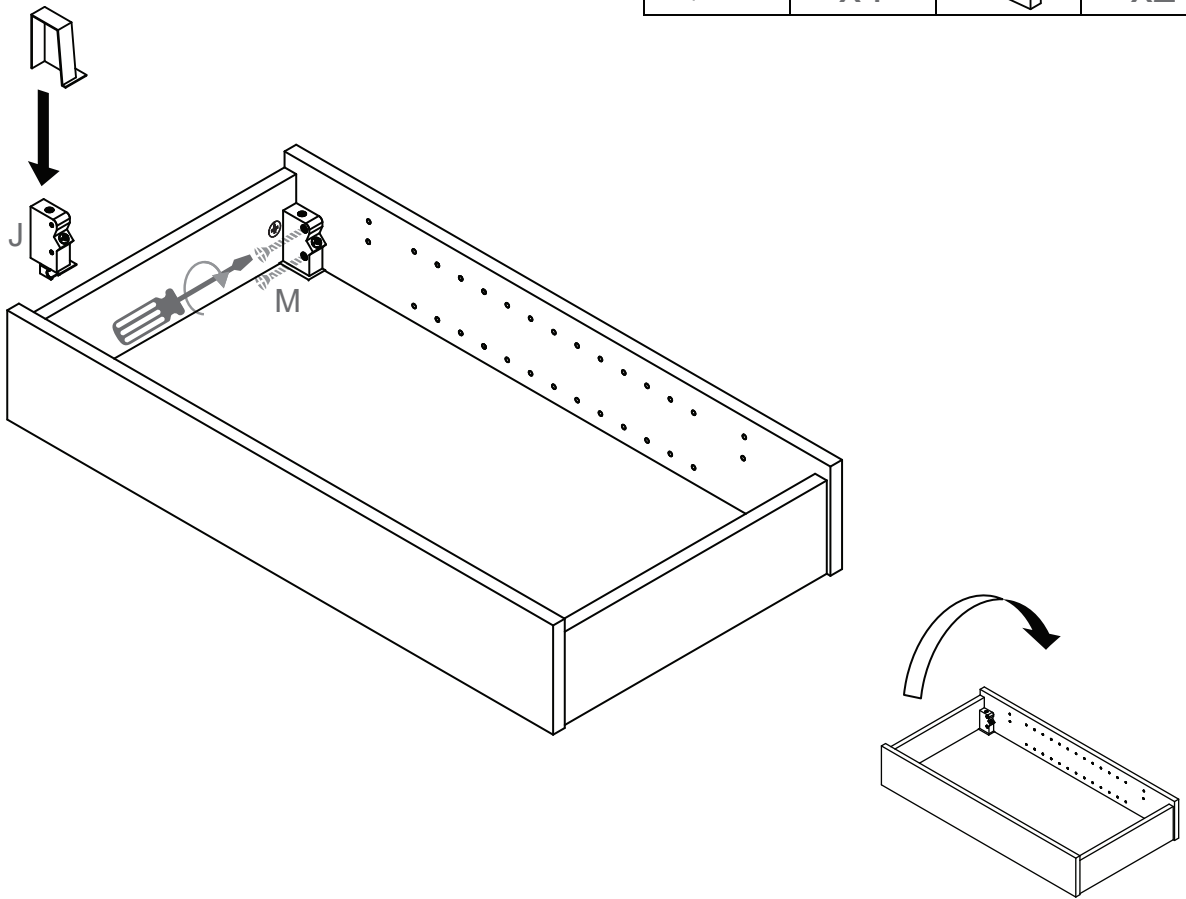
7

 **K**  
x4





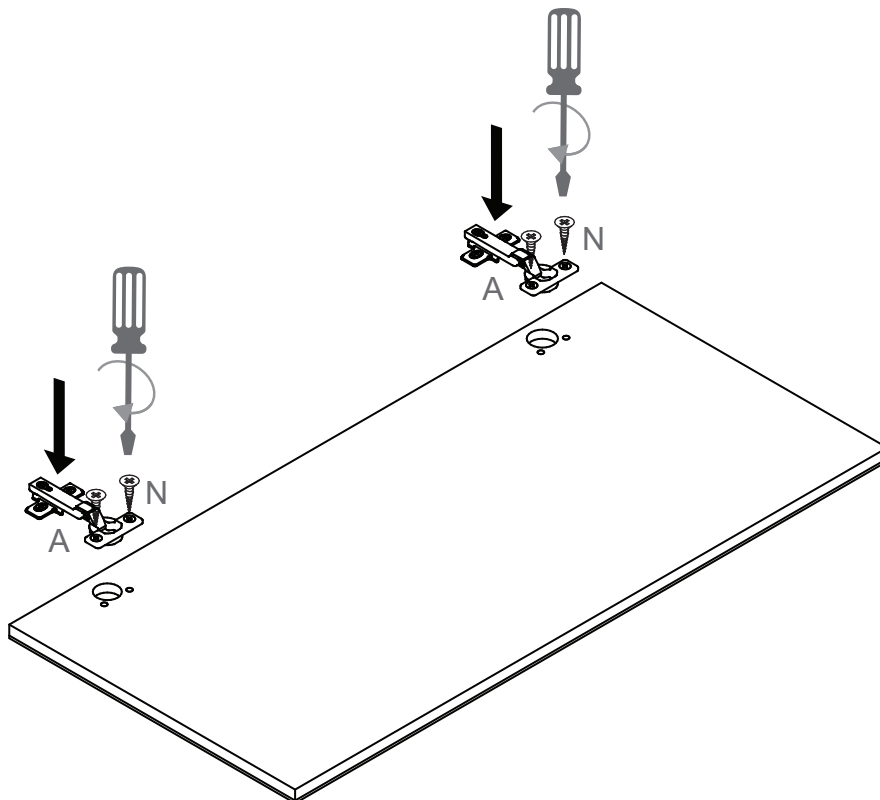
8

	<b>M</b> x4		<b>J</b> x2
---	----------------	--	----------------

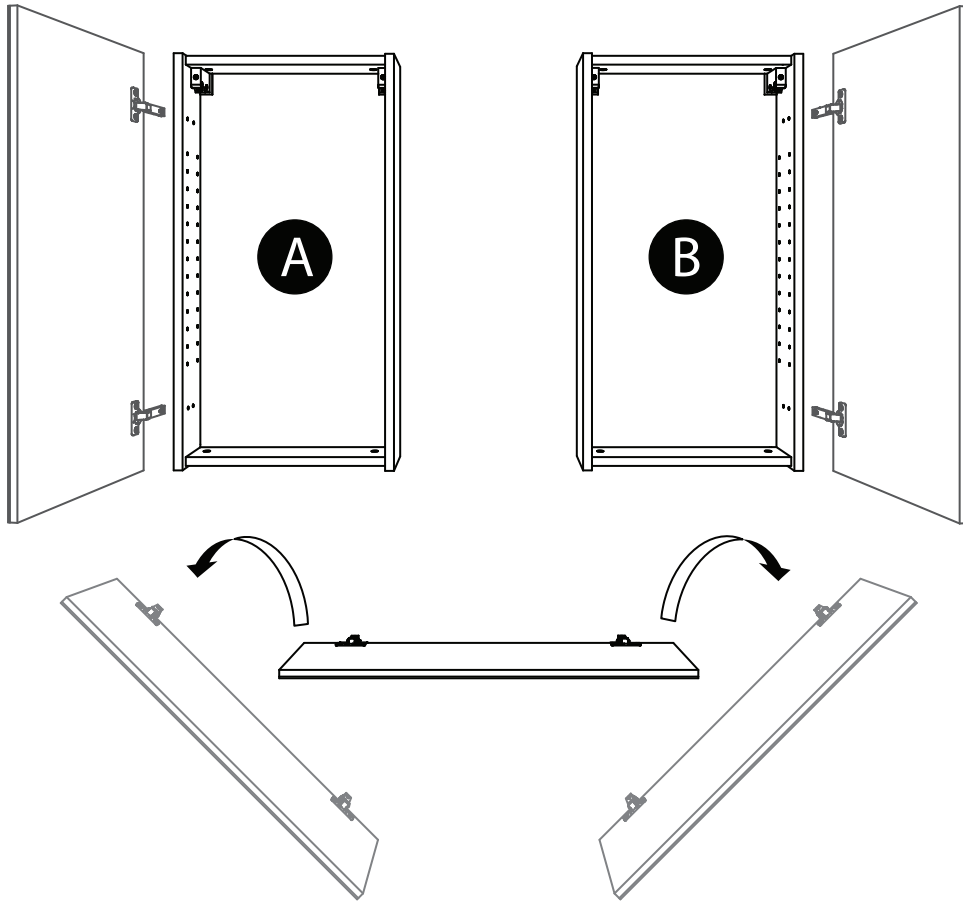


9

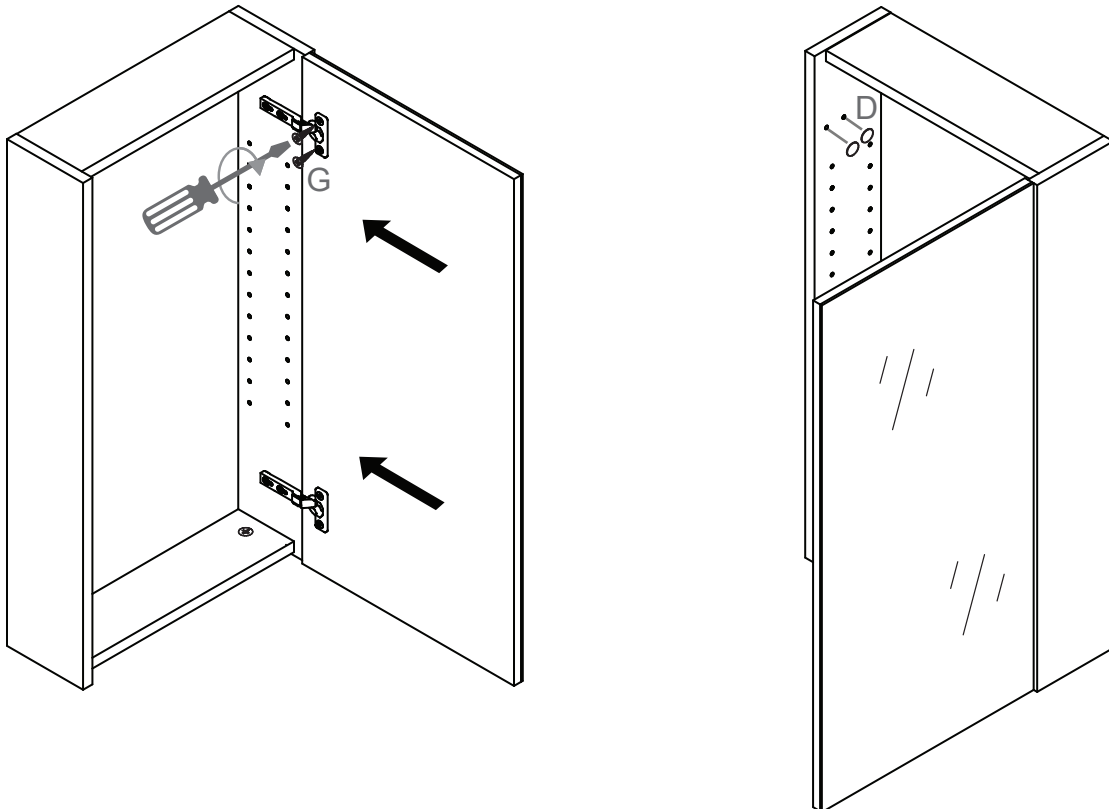
	<b>N</b> x4		<b>A</b> x2
--	----------------	---	----------------



10

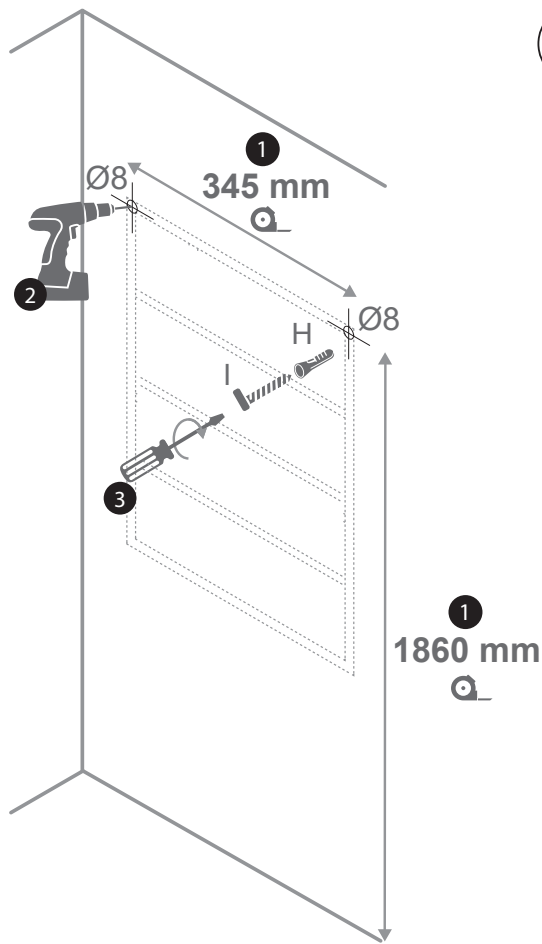


11

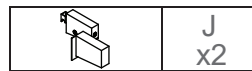
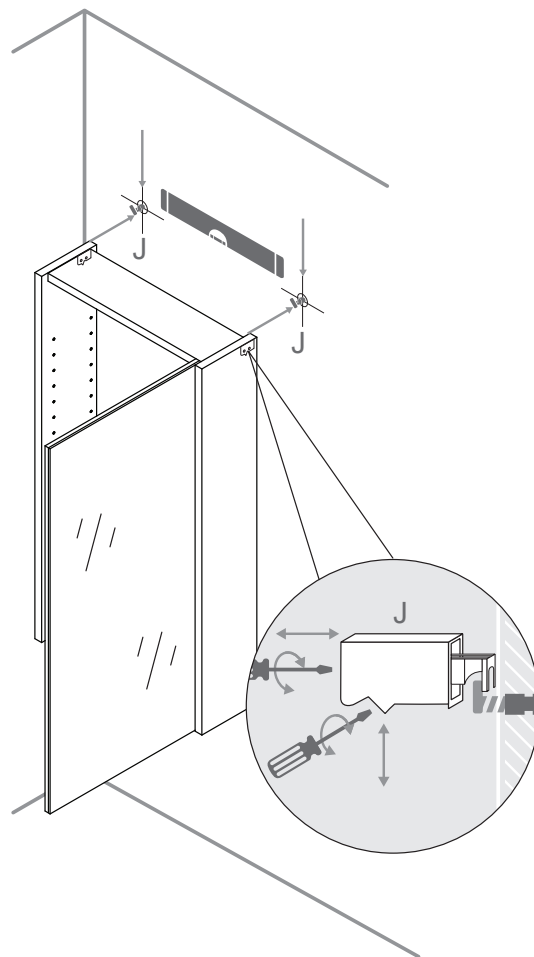




12



13



14

